

CABLE RANGE (Either Groove)		CATALOG NUMBER	APPROX. SHIP. WT. IN LBS.	FIG. NO.	DIMENSIONS IN INCHES				WRENCH SIZE (CROSSFLATS)	TORQUE IN-LB
MIN.	MAX.				L	H	J	W		
#6 SOL.	1/0 Str.	UC6W25	.50	1	1-3/4	1-11/16	3/8	1-7/16	9/16	240
#4 SOL.	4/0 Str.	UC4W28	.75	2	2-1/8	1-15/16	3/8	1-3/4	9/16	240
#2 Sol.	300 Kcmil	UC2W30	1.3	2	2-7/8	2-3/16	3/8	2	9/16	240
4/0 Str.	500 Kcmil	UC2834	3.5	3	4-1/4	2-3/4	1/2	2-1/2	3/4	480
300 Kcmil	800 Kcmil	UC3040	4.2	3	4-1/4	3-5/16	1/2	3-1/16	3/4	480
500 Kcmil	1000 Kcmil	UC3444	5.0	3	4-1/4	3-5/16	1/2	3-1/2	3/4	480

REV.	DATE	DESCRIPTION	ECO	BY	C.H.K.
D	09/29/2016 19:00:00 PM	FOCUS REQUEST FPN1609051	45024	CV	MB

CONNECTORS FOR CABLE

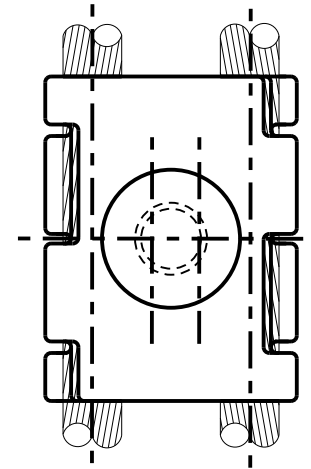
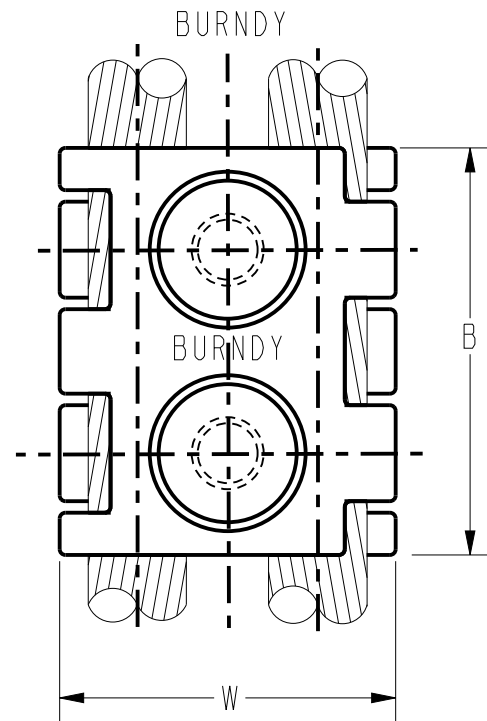


Fig. 1

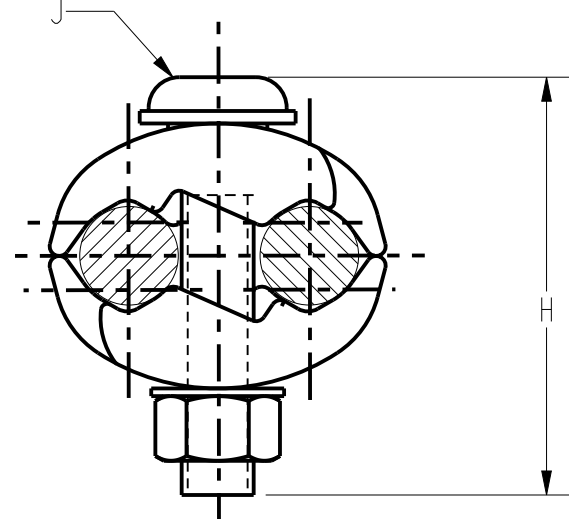


UNIVERSAL CLAMP

TYPE UC

for Range of Copper Cables

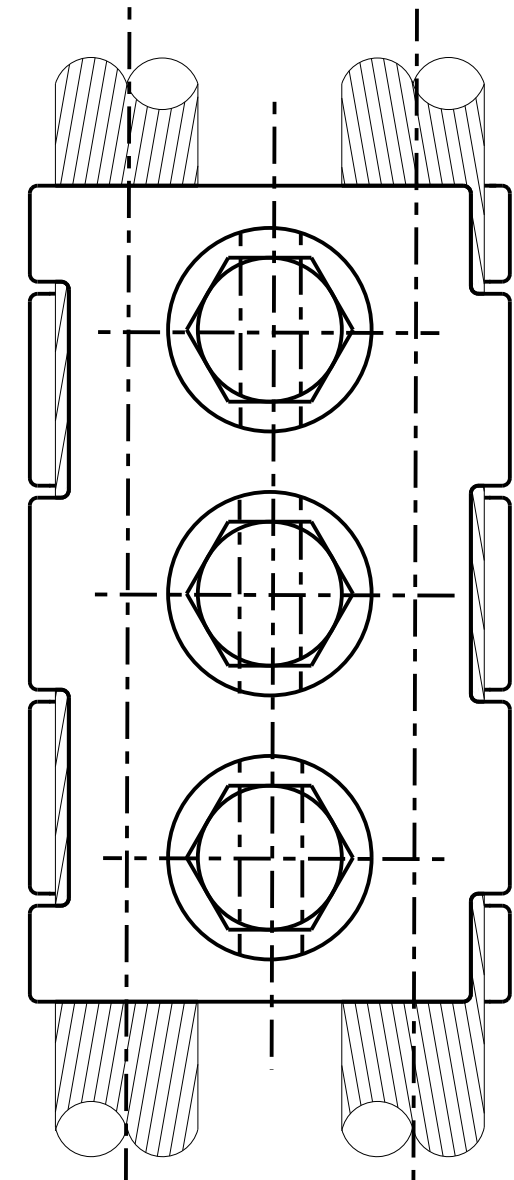
A universal clamp accommodating a large range of wires or cables in either groove. Stock sizes may be kept to a minimum by using one size of this connector instead of several sizes of parallel clamps. The interlocking jaws and grooves insure a firm grip with ample contact on the cable. The body is cast in two interchangeable halves and clamped with high strength, corrosion free Durium bolts, nuts, and lockwashers.



Type UC- Fig. 2

NOTE:

ADD SUFFIX "TN" FOR TIN PLATED.



TO ORDER BURNDY® PRODUCTS CALL		UNIVERSAL CLAMP	
UNITED STATES: 1-800-346-4175 (LONDONDERRY, NH)		ITEM NO: NA	
CANADA: 1-800-361-6975 (QUEBEC) 1-800-387-6487 (ALL OTHER PROVINCES)		CAT. NO: UC (GEN'L)	
FOR PRODUCT INFO: http://www.burndy.com		DRAWN BY: WK 12/12/1957	
		CHECKER: --	
		DSN APPVL: --	
		MFG APPVL: --	
		QA APPVL: --	
		MKT APPVL: --	
		PROD FAM: --	
		PROJECT #: --	
		DOCUMENT TYPE: Sales	
		REL LEVEL: Released	
		SCALE: 1:1	
		DRAWING NO	
		REV	
		SA038990-01	
		SHEET 1 OF 1	
		D	

REV: PE0200