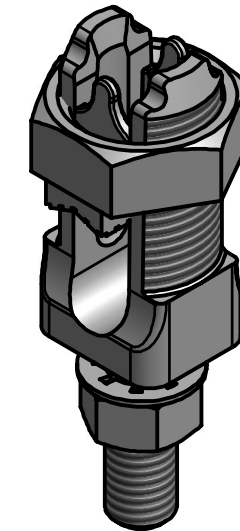
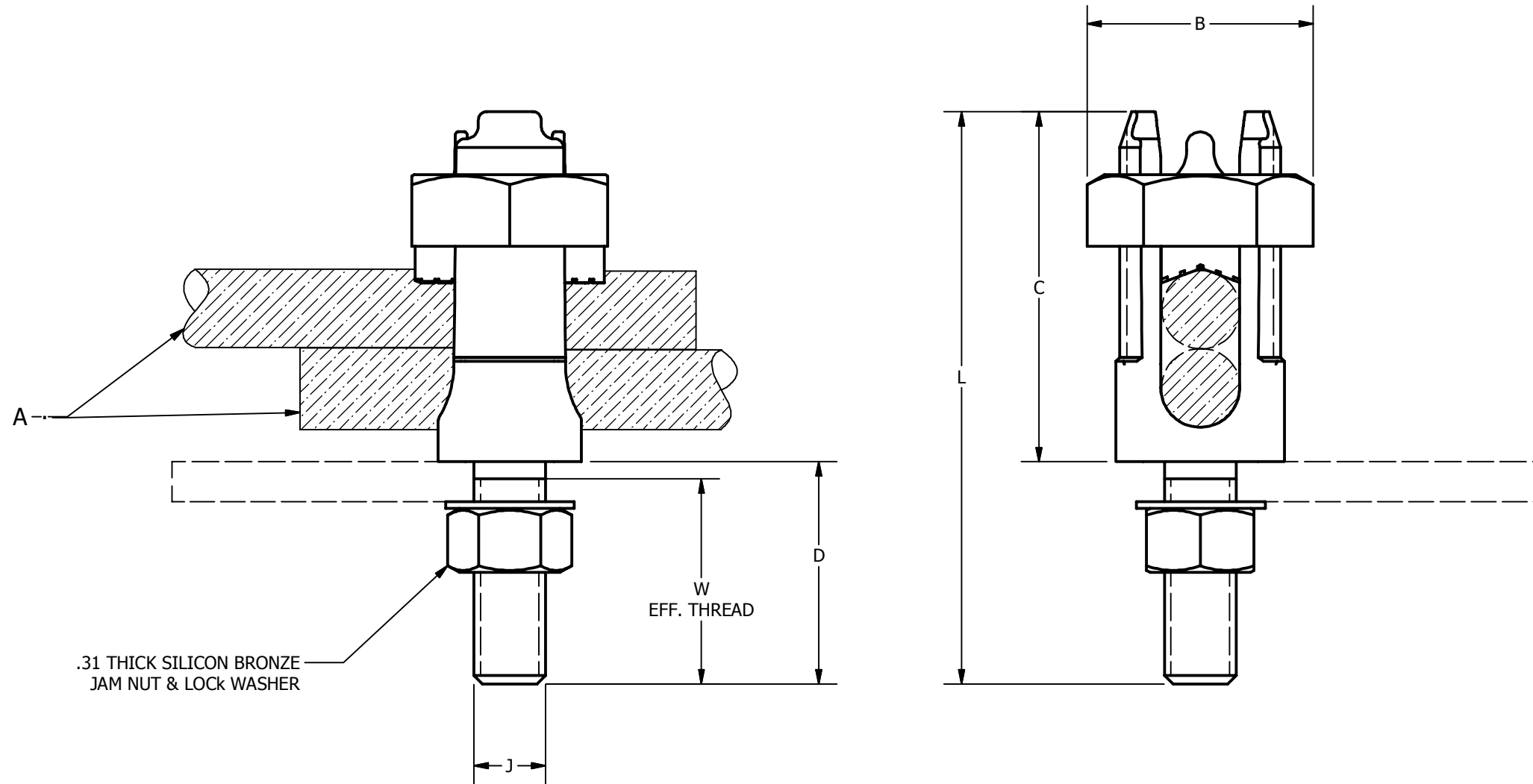


TYPE	CABLE SIZE "A"	B	C	D	J	L	W	TORQUE IN-LB [N-m]
K2C28G3	.528 DIA, MAX.	1.50 [38]	2.25 [57]	1.31 [33]	1/2-13 [M12]	3.56 [90]	1.12 [28]	500 [56]

REV	DATE	DESCRIPTION	ECO	BY	C'H'K.
A	06/18/2012	UPDATE PRODUCTION AND SALES DRAWING.	27764	BSB	MA



ACCOMMODATES: TWO 4/0 STR. (.528 DIA.)
MAX. CABLES

REFERENCE: 50004205

NOTES:

1. MATERIAL: CAST COPPER ALLOY.
2. ITEM IS NOT UL AND CSA LISTED.
3. DIMENSIONS IN BRACKETS [] ARE IN MILLIMETERS, ROUNDED OFF TO THE NEAREST MILLIMETER, UNLESS OTHERWISE NOTED. METRIC DIMENSIONS ARE FOR REFERENCE ONLY.

TO ORDER BURNDY PRODUCTS CALL		SERVIT POST™ - MALE	
UNITED STATES		ITEM NO: 276042	
1-800-346-4175 (LONDONDERRY, NH)		CAT. NO: K2C28G3	
CANADA:		DRAWN BY: B.SURESH BABU 6/18/2012	
1-800-361-6975 (QUEBEC)		CHECKER: D.SPURREL 7/25/2012	
1-800-387-6487 (ALL OTHER PROVINCES)		DSN APRVL: D.SPURREL 7/25/2012	
FOR PRODUCT INFO: http://www.burndy.com		MFG APRVL: T.WAWRZYNIAK 7/25/2012	
		QA APRVL: J.HILLMAN 8/3/2012	
		MKT APRVL: P.THERRIEN 7/27/2012	
PROD FAM:	DRAWING NO	REV	
PROJECT #: CM&R	SA004137-01	A	
DOCUMENT TYPE: SALES	SIZE		
REL LEVEL: Released	B		
		SHEET 1 OF 1	