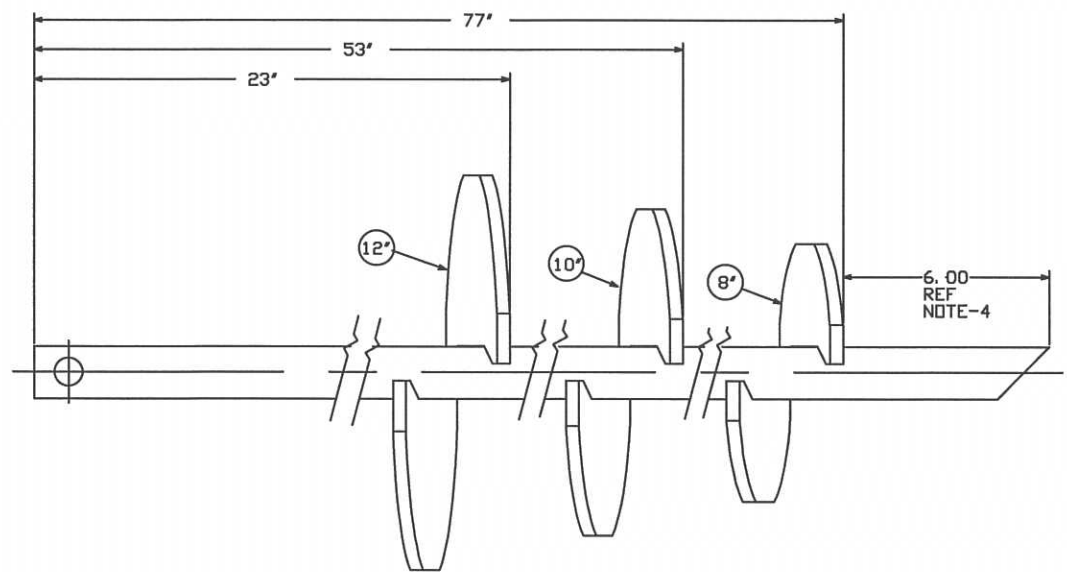


-NOTES-

1. HOT DIP GALVANIZE PER ASTM A153 LATEST REVISION.
2. 1 1/2" SQUARE SHAFT TYPICAL WORKING 5,500 FT.



14570	12/18/06	DVH	HAMILTON	<b>CHANCE</b> TOLERANCE CHART <small>FIG. 4 200 PINS BELOW ANCHOR SET          TO 1/2" AND 1/4" PITCHES NOTED          LOC. &amp; 200 PARTS OF THIS SHEET</small>	<b>HUBBELL POWER SYSTEMS</b> TITLE <b>ANCHOR          MULTIPLE HELIX</b>																								
EC #	DATE	CHG BY	RESP ENG			<small>CONFIDENTIAL THIS DRAWING AND ITS          CONTENTS ARE CONFIDENTIAL AND THE          EXCLUSIVE PROPERTY OF HUBBELL          POWER SYSTEMS. NO PUBLICATION,          DISTRIBUTION OR COPIES MAY BE MADE          WITHOUT THE WRITTEN CONSENT OF          HUBBELL POWER SYSTEMS.          HUBBELL POWER SYSTEMS UNPUBLISHED          ALL RIGHTS RESERVED UNDER THE          COPYRIGHT LAWS.</small>																							
<small>RESC OF THIS          CREATE SA012642AEJ7</small>				<small>AREAS AFFECTED          BY LATEST EC</small>	<small>SIZE DWG NO.  <b>B SA012642AEJ7</b></small>																								
<small>REASON C/D FOR CHANGE MATCH CUSTOMER SPEC          DISPOSITION OF MAT'L IN STOCK</small>				<table border="0"> <tr><td>S.P.C.</td><td>-</td><td>X</td></tr> <tr><td>F.A.L.</td><td>-</td><td>X</td></tr> <tr><td>TOOL/COUP</td><td>-</td><td>X</td></tr> <tr><td>SUPPLIER</td><td>-</td><td>X</td></tr> <tr><td>GAUGES</td><td>-</td><td>X</td></tr> <tr><td>PRCS PROC</td><td>-</td><td>X</td></tr> <tr><td>PKG/LABEL</td><td>-</td><td>X</td></tr> <tr><td>INSV/TEST</td><td>-</td><td>X</td></tr> </table>	S.P.C.	-	X	F.A.L.	-	X	TOOL/COUP	-	X	SUPPLIER	-	X	GAUGES	-	X	PRCS PROC	-	X	PKG/LABEL	-	X	INSV/TEST	-	X	<small>CAT / PART / ASSY NO.  <b>SA012642AEJ7</b></small>
S.P.C.	-	X																											
F.A.L.	-	X																											
TOOL/COUP	-	X																											
SUPPLIER	-	X																											
GAUGES	-	X																											
PRCS PROC	-	X																											
PKG/LABEL	-	X																											
INSV/TEST	-	X																											
				<small>DO NOT SCALE          THIS DRAWING</small>	<small>DRW BY DVH DATE 12/18/06 SHEET 1 OF 1</small>																								