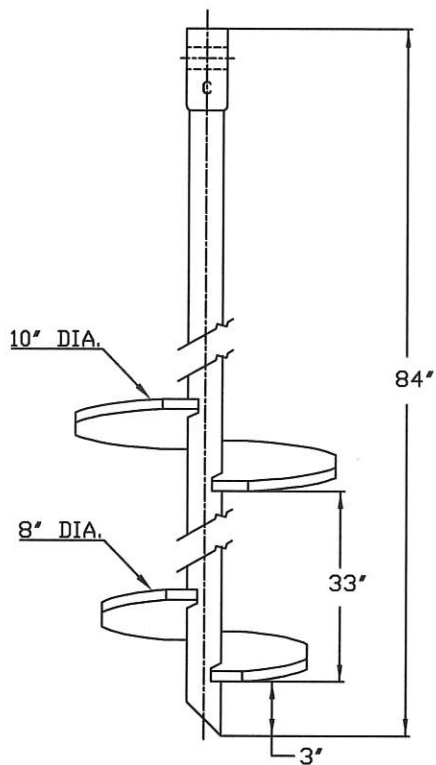
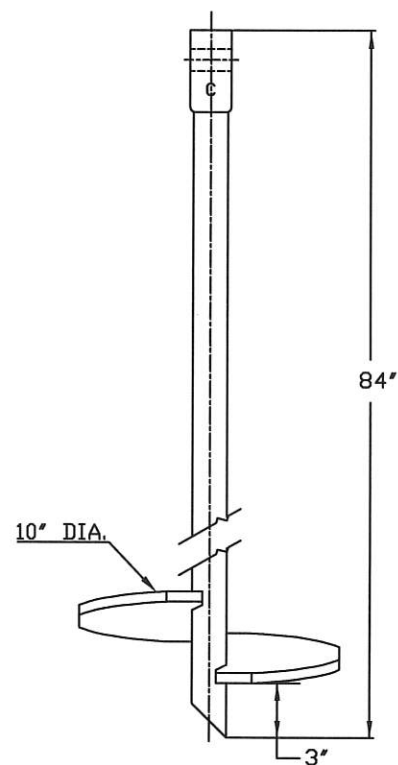


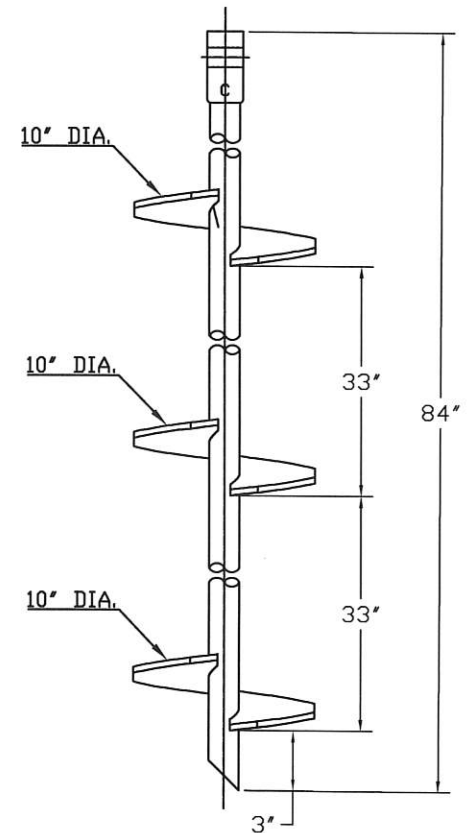
012690AEJ



012690AE




V1090006



V1090007

-NOTE-

1. ALL ITEMS HOT DIP GALVANIZED PER LATEST REV. OF ASTM A153.
2. ALL DIMENSIONS ARE NOMINAL.

CHANCE		 HUBBELL POWER SYSTEMS			
<small>CONFIDENTIAL: THIS DRAWING AND ITS CONTENTS ARE CONFIDENTIAL AND THE EXCLUSIVE PROPERTY OF HUBBELL POWER SYSTEMS. NO PUBLICATION, DISTRIBUTION OR COPIES MAY BE MADE WITHOUT THE WRITTEN CONSENT OF HUBBELL POWER SYSTEMS. HUBBELL POWER SYSTEMS UNPUBLISHED ALL RIGHTS RESERVED UNDER THE COPYRIGHT LAWS.</small>		TITLE ROUND ROD ANCHOR ASSEMBLY			
		<small>SIZE</small> C	<small>DWG NO.</small> SA012690	<small>CAT / PART / ASSY NO.</small> SEE ABOVE	<small>REV</small> B
<small>DO NOT SCALE THIS DRAWING</small>	<small>DRN BY</small> DVH	<small>DATE</small> 6-14-11	<small>SHEET</small> 1 OF 1		