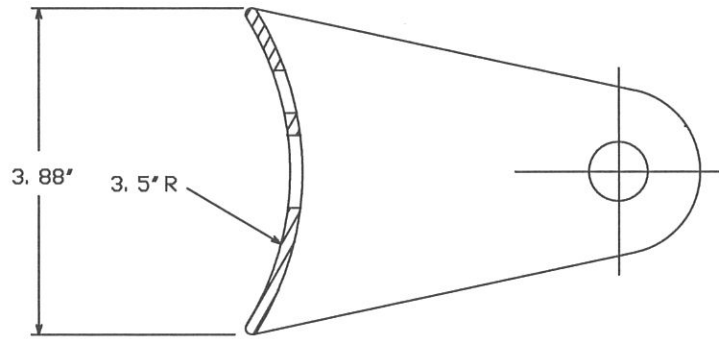
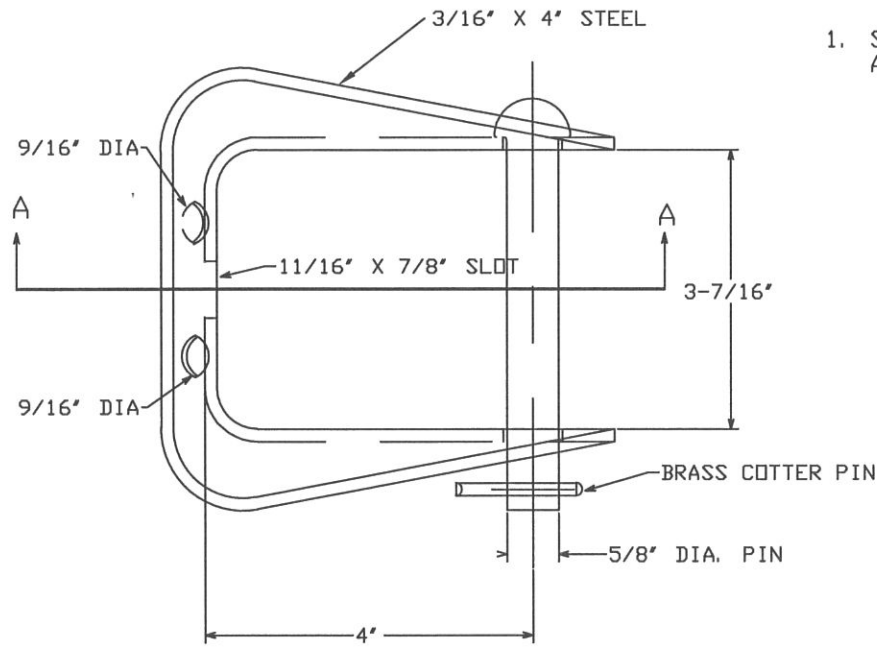


# NOTES

1. STEEL HARDWARE HOT DIP GALV PER ASTM A153 LATEST REVISION.



SECTION A-A

CATALOG NO.  
0327

15470	09/09/05	ROY	HAMILTON	CHANCE	HUBBELL POWER SYSTEMS TOLERANCE CHART SEE THE DRAWING FOR DIMENSIONS AND TOLERANCES UNLESS OTHERWISE SPECIFIED	HUBBELL POWER SYSTEMS INSULATOR BRACKET	REV
EC #	DATE	CHG BY	RESP ENG	DATE / PART / ARMY NO.			REV
REVISIONS: 9/9/05 DIA HOLE TO VISE 11/16 DIA HOLE. ADDED TOP VIEW & LABELED BACK SIDE RADIUS TO BE 3.5 IN.				AREAS AFFECTED BY LATEST ED. S.P.C. - Y P.A.L. - X TOOL/EQUIP. - X SUPPLIER - X DIMENSIONS - X PRICE PROC. - X PROJ. LABEL - X IMP/TEXT - X	CONFIDENTIAL: THIS DRAWING AND ITS CONTENTS ARE CONFIDENTIAL AND THE EXCLUSIVE PROPERTY OF HUBBELL POWER SYSTEMS. NO REPRODUCTION, DISTRIBUTION OR COMING INTO BE AWARE WITHOUT THE WRITTEN CONSENT OF HUBBELL POWER SYSTEMS. HUBBELL POWER SYSTEMS UNPUBLISHED ALL RIGHTS RESERVED UNDER THE COPYRIGHT LAWS.	SIZE: DRG NO. C SA0327	DATE: 02/11/93 SHEET 01 OF 01