

REV	DATE	DESCRIPTION	ECO	BY	C.H.K.
P	01/04/2017 00:00:00 AM	DRAWING RELEASED	45671	MM	NJS

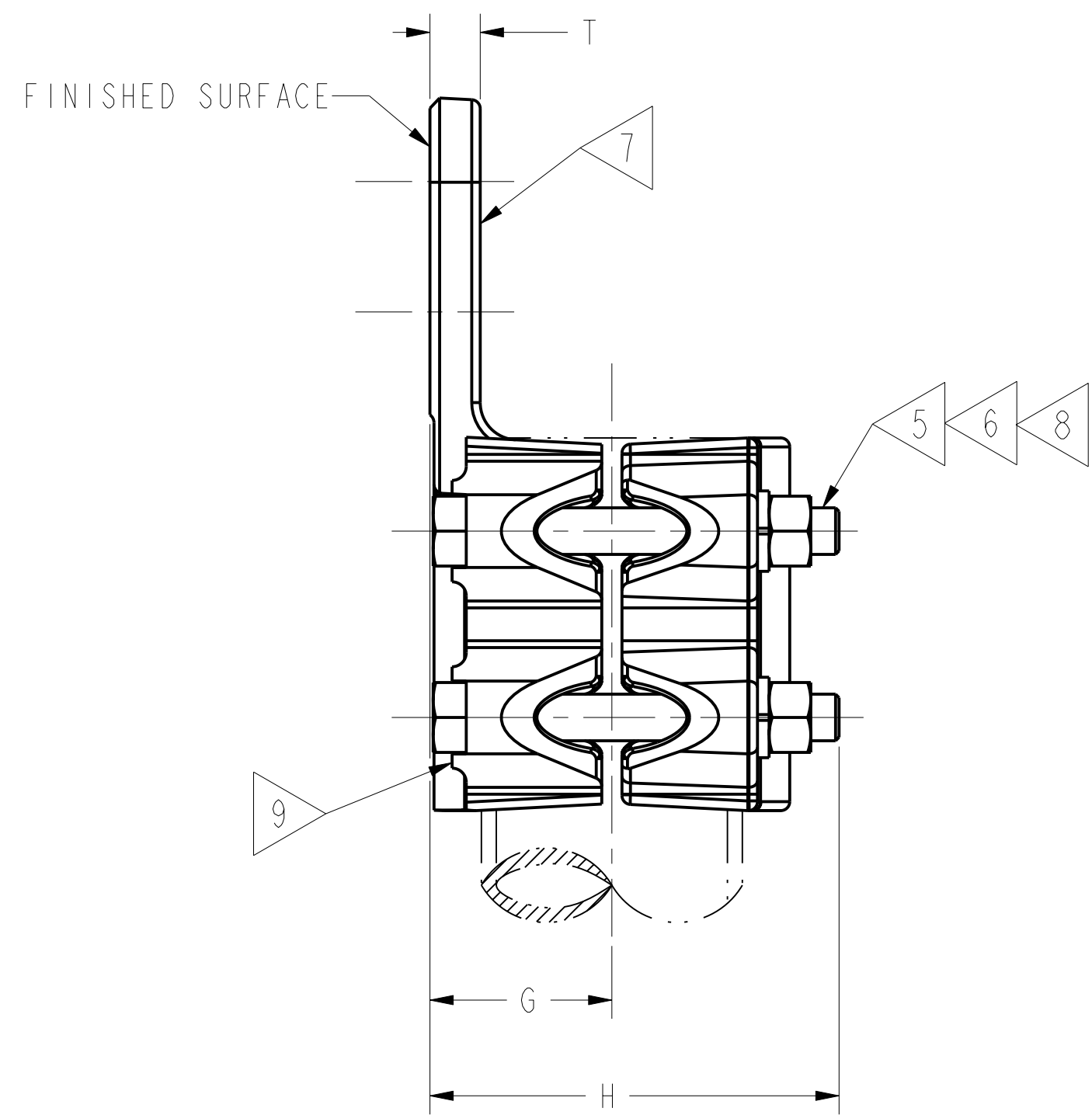


FIG. A  
(BODY)

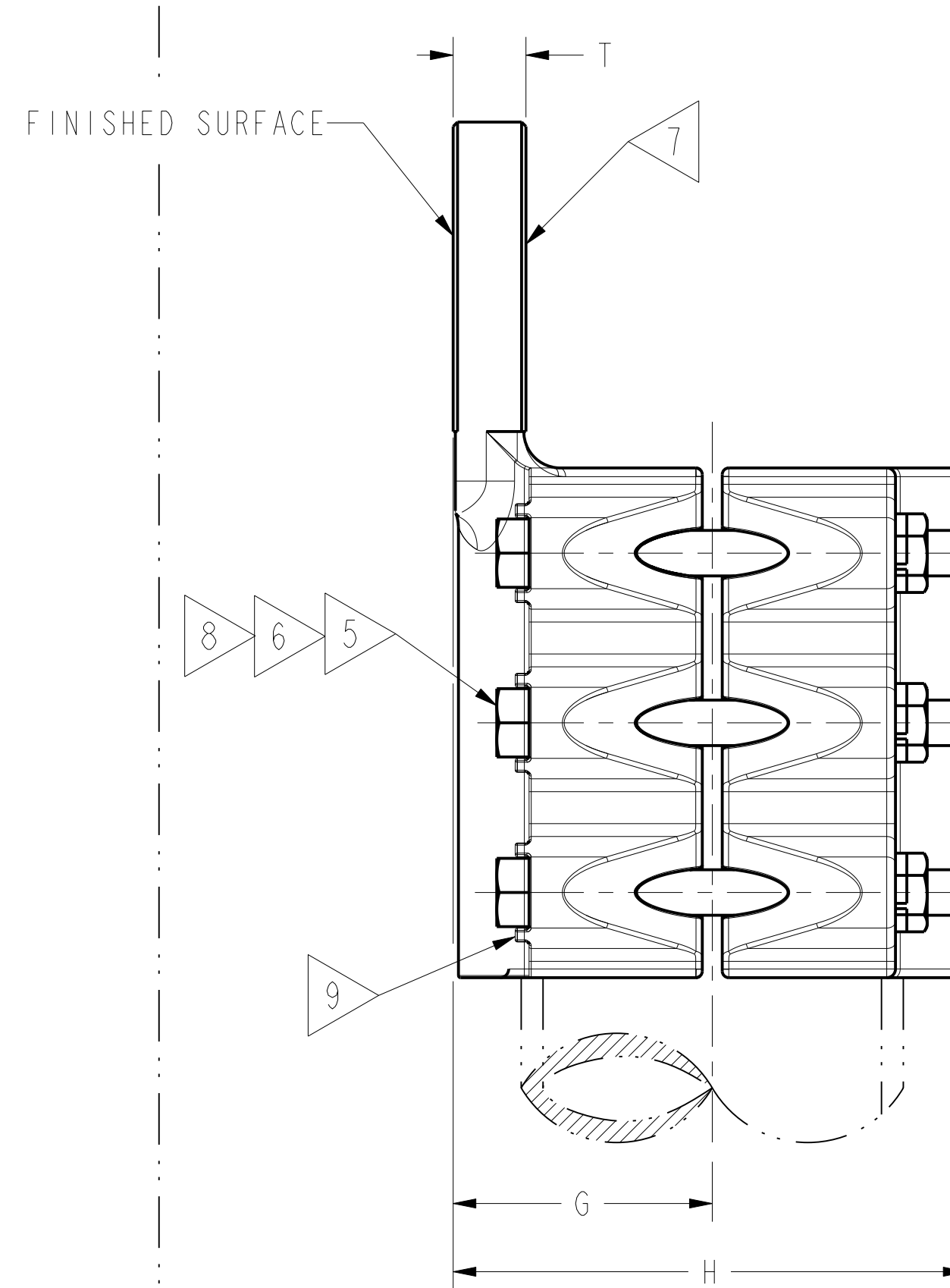
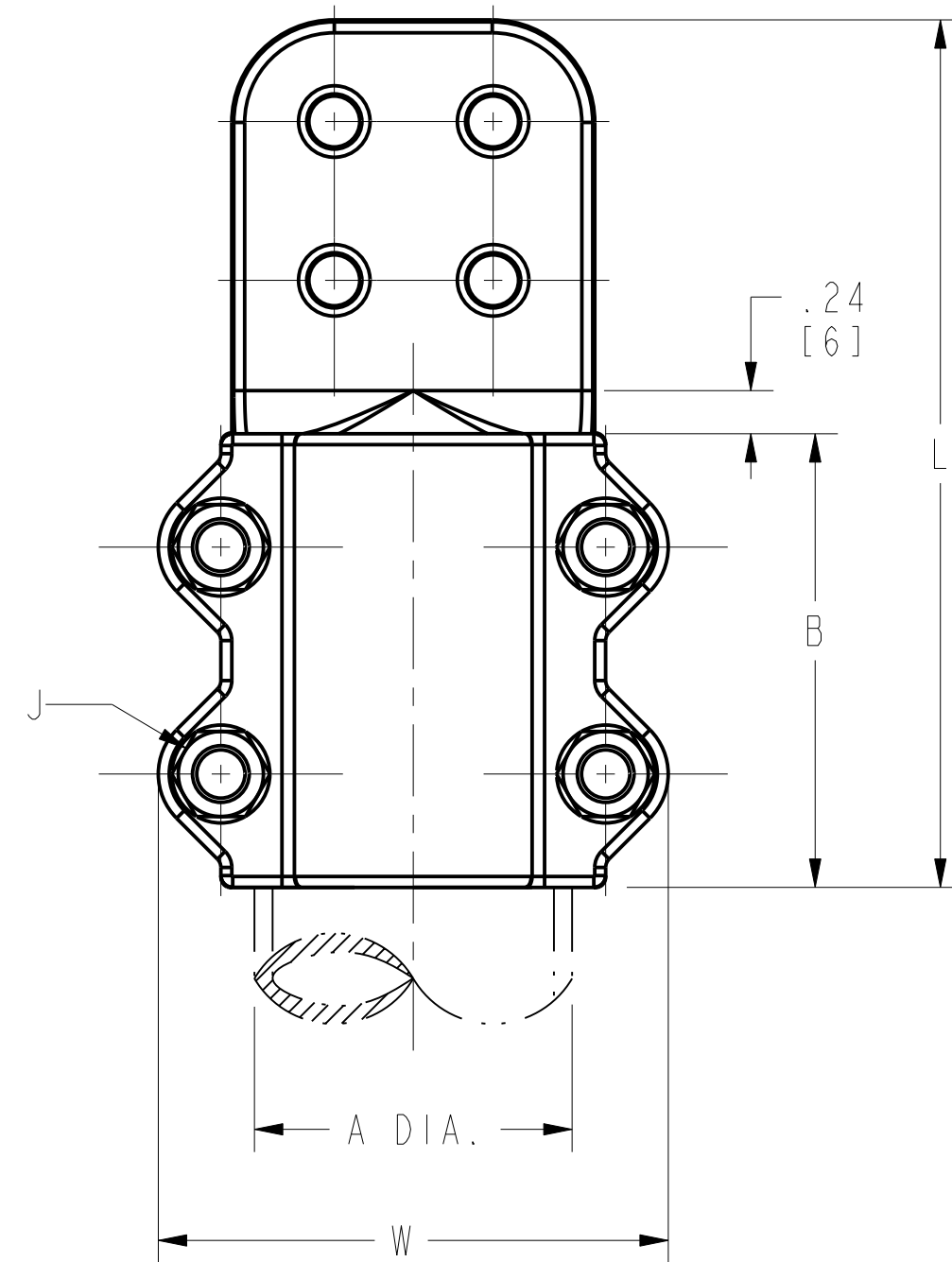
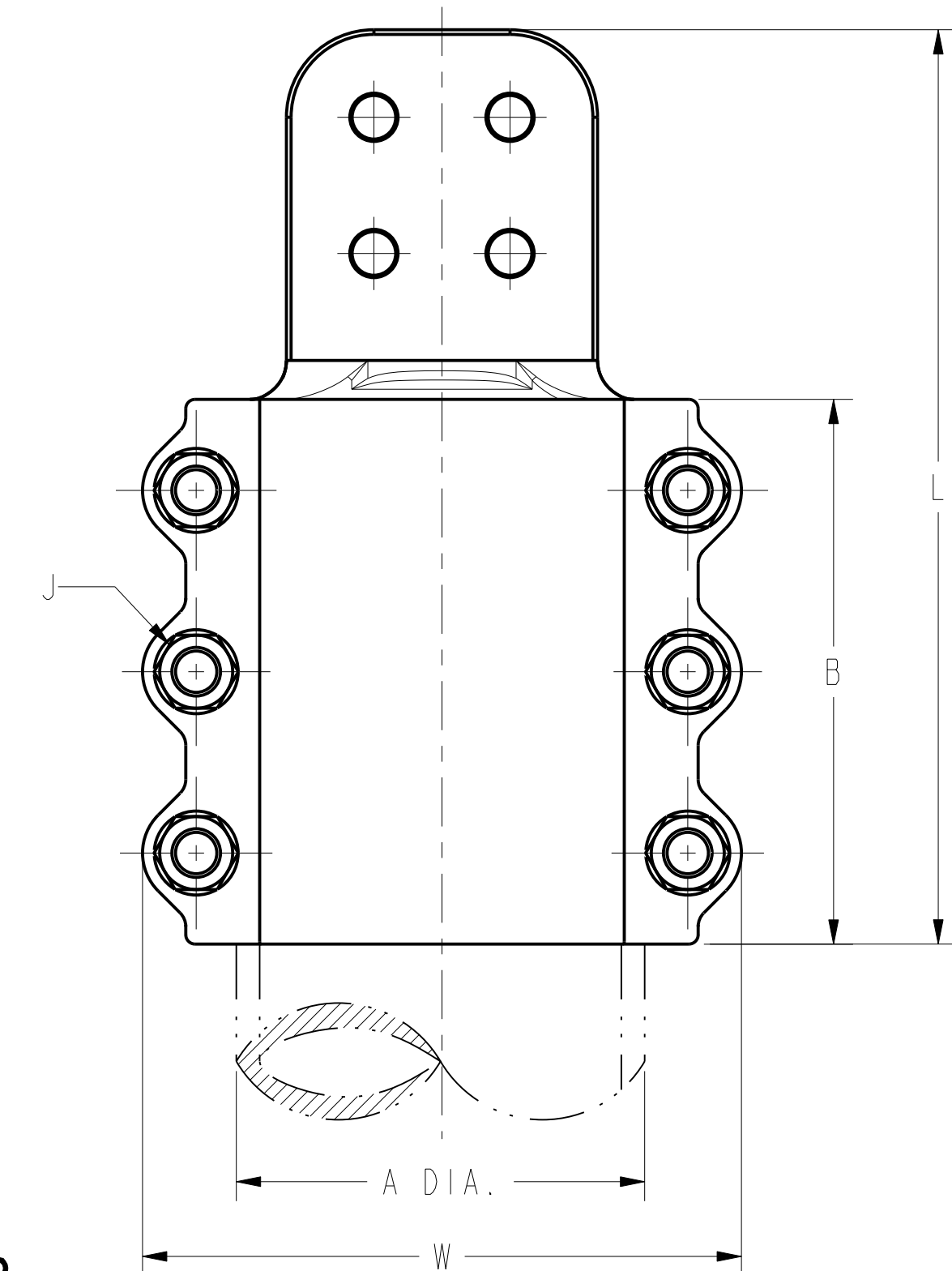


FIG. B  
(BODY)



NOTES:

- DIMENSIONS IN BRACKETS [ ] DENOTES METRIC UNITS [SI UNITS] AND ARE ROUNDED TO THE NEAREST WHOLE NUMBER, UNLESS OTHERWISE SPECIFIED THESE UNITS SHALL BE USED FOR REFERENCE ONLY.
- MOUNTING HOLES CONFORM TO NEMA STANDARDS. NEMA DRILLING (9/16" HOLES ON 1 3/4" CENTERS) PROVIDED.
- SIZES NOT LISTED READILY SUPPLIED.
- PENETROX™ NOTE: SCRATCH BRUSH CONNECTOR CONTACT SURFACE DRY, THEN APPLY PENETROX™ A. PENETROX™ CAN BE PURCHASED FROM BURNDY LLC IN CANS OR PLASTIC SQUEEZE BOTTLES.
- CLAMPING HARDWARE HAS BEEN SELECTED TO PROVIDE THE REQUIRED FORCE WHEN TIGHTENED TO THE RECOMMENDED TORQUE. TO REDUCE OR GREATLY EXCEED THE RECOMMENDED TORQUE CAN ADVERSELY AFFECT THE PERFORMANCE OF THE CONNECTOR.
- NOMINAL BOLT INSTALLATION TORQUE:  
1/2" ALUMINUM HARDWARE - 300 LB-IN [35 Nm]  
5/8" ALUMINUM HARDWARE - 480 LB-IN [55 Nm]  
1/2" GALVANIZED & STAINLESS STEEL HARDWARE - 480 LB-IN [55 Nm]  
5/8" GALVANIZED & STAINLESS STEEL HARDWARE - 660 LB-IN [75 Nm]
- PAD FINISHED ON ONE SIDE ONLY. ADD SUFFIX LETTER 'Q' TO THE CATALOG NUMBER FOR THE PAD TO BE FINISHED ON BOTH SIDES.
- OPTIONAL HARDWARE VARIATIONS ARE AVAILABLE BY ADDING THE FOLLOWING SUFFIX TO THE CATALOG NUMBER.  
GS = GALVANIZED STEEL  
SS = STAINLESS STEEL  
EXAMPLE: NA24A44NGS
- HEX BOLTS CAPTURED TO PREVENT TURNING DURING INSTALLATION.
- DIMENSIONS ARE INDICATIVE AND MAY SLIGHTLY VARY WITHOUT COMPROMISING THE FUNCTIONALITIES.

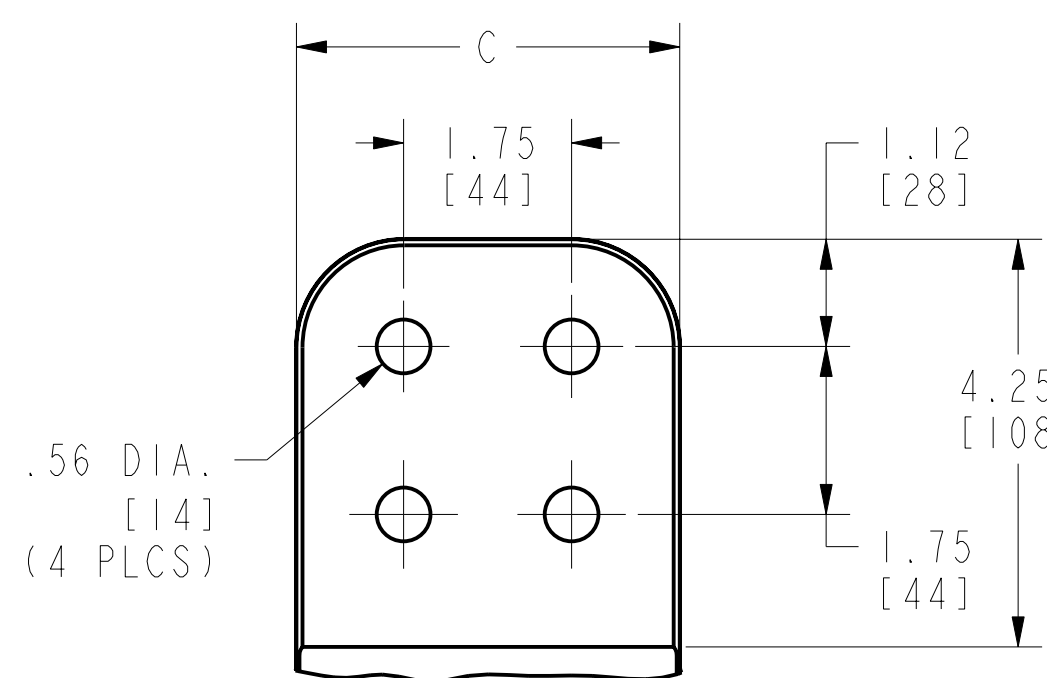


FIG. 1  
(PAD)

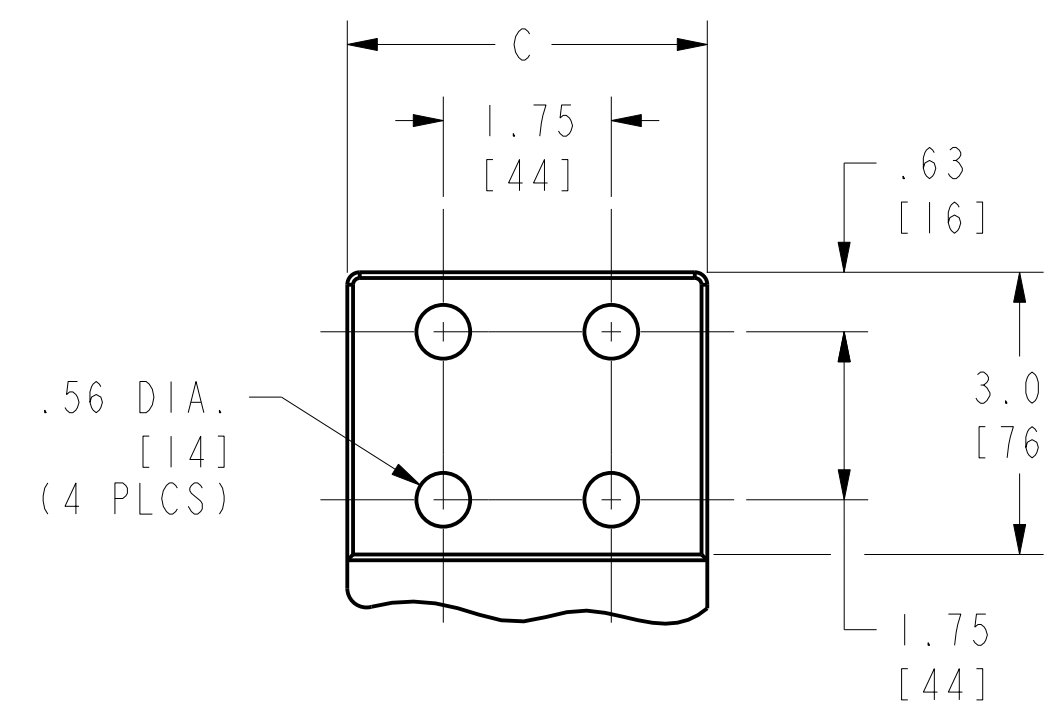


FIG. 2  
(PAD)

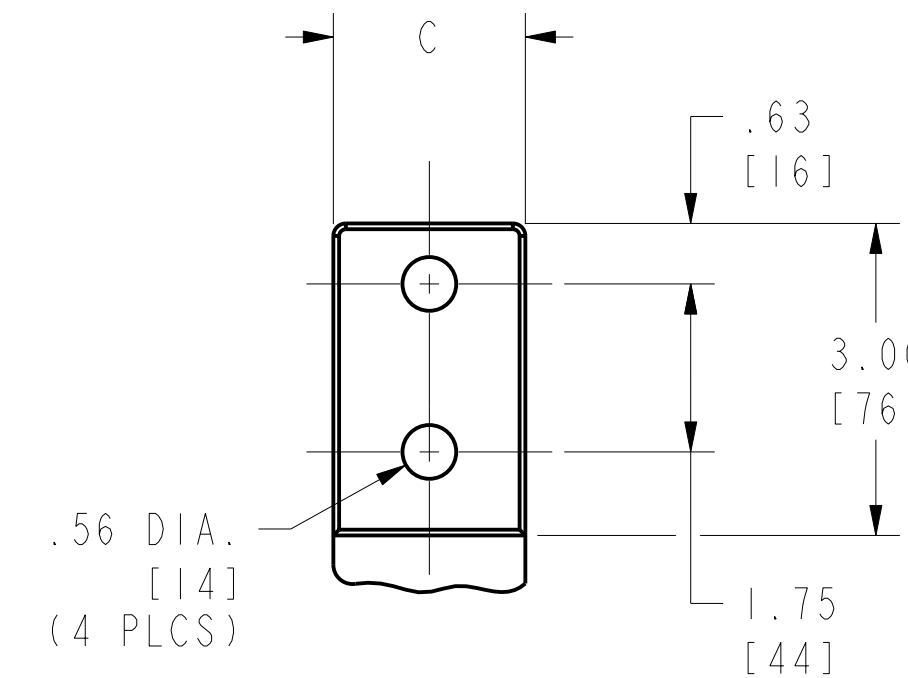


FIG. 3  
(PAD)

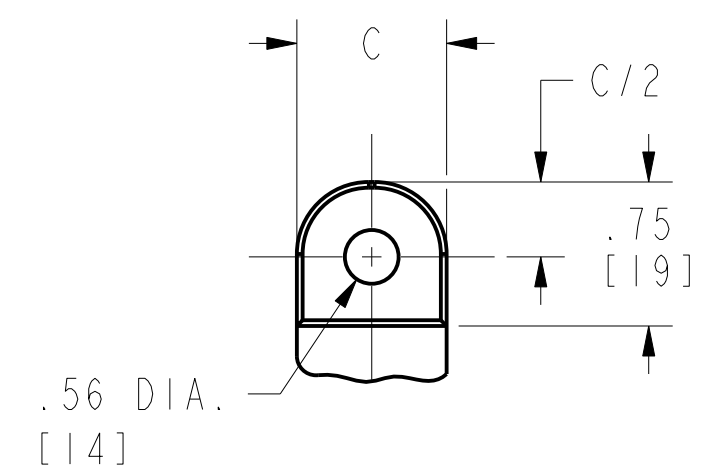


FIG. 4  
(PAD)

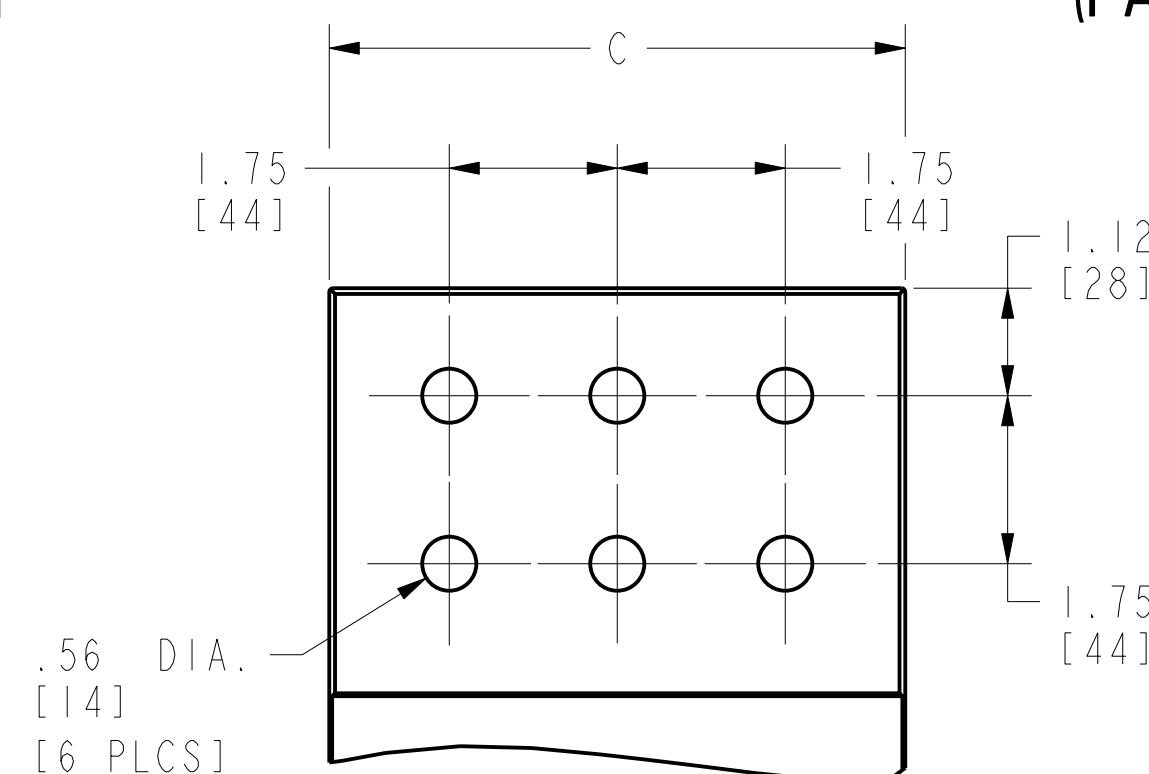


FIG. 5  
(PAD)

TO ORDER BURNDY® PRODUCTS CALL		TERMINAL, TUBE TO FLAT	
UNITED STATES 1-800-346-4175 (LONDONDERRY, NH)		ITEM NO: SEE TABLE	CAT. NO: NA--A-N (TABLE)
CANADA: 1-800-361-6975 (QUEBEC) 1-800-387-6487 (ALL OTHER PROVINCES)		DRAWN BY: BHARATHIRAJA 08/14/14	CHECKER: R LAVOIE 11/19/14
FOR PRODUCT INFO: <a href="http://www.burndy.com">http://www.burndy.com</a>		DSN APPVL: NJ SUDHAKAR 01/23/17	MFG APPVL: H GOMEZ 01/24/17
		QA APPVL: E VARGAS 01/20/17	MKT APPVL: --
		PROD FAM: SUBSTATION	DRAWING NO: SA038849
		PROJECT #: LMI2663	SIZE: D
		DOCUMENT TYPE: Sales	SHEET 1 OF 2
		REL LEVEL: Released	SCALE: 1:1



ITEM NUMBER	CATALOG NUMBER	IPS ALUMINUM OR COPPER	A DIA.	FIG. NO. PAD/BODY	DIMENSIONS INCH [MM]							
					B	C	G	H	J	L	T	W
10033750	NA12A	3/8 IPS	.675 [17]	4A	2.75 [70]	1.50 [38]	1.22 [31]	2.62 [67]	1/2-13 [13]	4.50 [114]	.31 [8]	2.42 [61]
10033751	NA12A2N			3A						6.00 [152]		
10033749	NA13A	1/2 IPS	.840 [21]	4A	3.00 [76]	1.50 [38]	1.30 [33]	2.88 [73]	1/2-13 [13]	4.88 [124]	.31 [8]	2.58 [66]
304340	NA13A2N			3A						6.25 [159]		
50032963	NA13A4N			2A						3.00 [76]		
10033757	NA14A	3/4 IPS	1.050 [27]	4A	3.25 [83]	1.62 [41]	1.41 [36]	3.12 [79]	1/2-13 [13]	5.25 [133]	.38 [10]	2.80 [71]
304300	NA14A2N			3A						6.50 [165]		
25006352	NA14A4N			2A						3.00 [76]		
304342	NA15A2N	1 IPS	1.315 [33]	3A	3.50 [89]	1.88 [48]	1.50 [38]	3.38 [86]	1/2-13 [13]	6.75 [171]	.38 [10]	3.06 [78]
304330	NA15A4N			2A						3.00 [76]		
10031328	NA15A44N			1A						4.00 [102]		
304293	NA16A2N	1 1/4 IPS	1.660 [42]	3A	3.75 [95]	2.25 [57]	1.60 [41]	3.38 [86]	1/2-13 [13]	7.00 [178]	.44 [11]	3.40 [86]
304295	NA16A4N			2A						3.00 [76]		
304341	NA17A2N	1 1/2 IPS	1.900 [48]	3A	4.00 [102]	2.50 [63]	1.76 [45]	3.88 [99]	1/2-13 [13]	7.28 [185]	.50 [13]	3.64 [92]
304343	NA17A4N			2A						3.00 [76]		
25004731	NA17A34N			2A						3.00 [76]		
10094213	NA17A44N			1A						4.00 [102]		
304344	NA18A2N	2 IPS	2.375 [60]	3A	4.25 [108]	2.75 [70]	2.05 [52]	4.47 [114]	5/8-11 [16]	7.50 [191]	.50 [13]	4.50 [114]
304345	NA18A4N			2A						3.12 [79]		
10011598	NA18A34N			2A						3.00 [76]		
25004446	NA18A44N			1A						4.00 [102]		
25022031	NA19A2N	2 1/2 IPS	2.875 [73]	3A	4.50 [114]	3.25 [83]	2.19 [56]	4.97 [126]	5/8-11 [16]	8.00 [203]	.69 [18]	5.00 [127]
25005617	NA19A34N			2A						3.00 [76]		
304348	NA19A4N			2A						3.75 [95]		
26001555	NA19A44N			1A						4.00 [102]		
304235	NA20A2N	3 IPS	3.500 [89]	3A	5.00 [127]	4.38 [111]	2.43 [62]	5.47 [139]	5/8-11 [16]	8.31 [211]	.69 [18]	5.62 [144]
304349	NA20A4N			2A						3.00 [76]		
304268	NA20A34N			2A						4.00 [102]		
304188	NA20A44N			1A						4.00 [102]		
30469C	NA21A4N	3 1/2 IPS	4.000 [102]	2A	5.50 [140]	4.75 [121]	2.68 [68]	5.62 [143]	5/8-11 [16]	8.81 [224]	.81 [21]	6.14 [156]
25016980	NA21A34N			2A						3.00 [76]		
30475K	NA22A4N	4 IPS	4.500 [114]	2A	6.00 [152]	5.26 [134]	2.94 [75]	6.22 [158]	5/8-11 [16]	9.31 [236]	.81 [21]	5.62 [143]
304194	NA22A44N			1A						4.00 [102]		
30007248	NA22A66N			5A						6.00 [152]		
25004261	NA24A44N			1B						7.00 [178]		

REV	DATE	DESCRIPTION	ECO	BY	CHK.
P	01/04/2017 00:00:00 AM	DRAWING RELEASED	45671	MM	NJS

TO ORDER BURNDY® PRODUCTS CALL		TERMINAL, TUBE TO FLAT	
UNITED STATES		ITEM NO: SEE TABLE	
1-800-346-4175 (LONDONDERRY, NH)		CAT. NO: NA--A-N (TABLE)	
CANADA:		DRAWN BY: BHARATHIRAJA 08/14/14	
1-800-361-6975 (QUEBEC)		CHECKER: R LAVOIE 11/19/14	
1-800-387-6487 (ALL OTHER PROVINCES)		DSN APPVL: NJ SUDHAKAR 01/23/17	
FOR PRODUCT INFO: <a href="http://www.burndy.com">http://www.burndy.com</a>		MFG APPVL: H GOMEZ 01/24/17	
		QA APPVL: E VARGAS 01/20/17	
		MKT APPVL: --	
		SCALE: 1:1	
		PROD FAM: SUBSTATION	
		DRAWING NO	
		PROJECT #: LMI2663	
		SIZE	
		DOCUMENT TYPE: Sales	
		SA038849	
		REL LEVEL: Released	
		SHEET 2 OF 2	