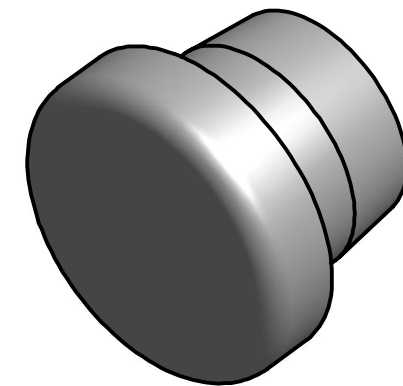
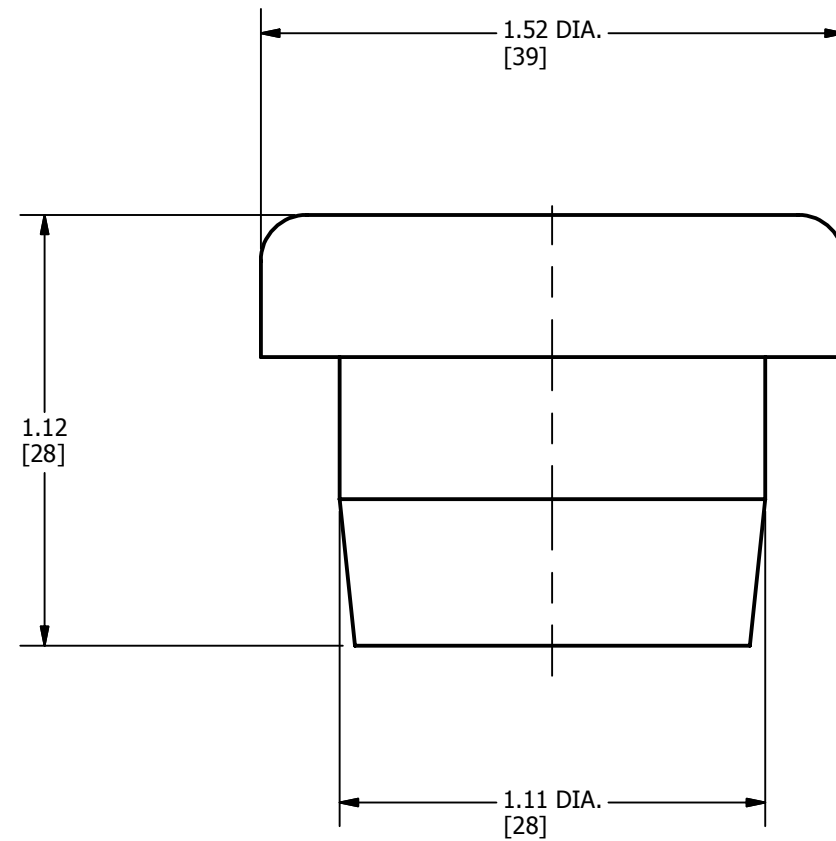


REV	DATE	DESCRIPTION	ECO	BY	C'HK.
B	06/25/2014	UPDATED AS PER M/U	36600	MVP	MB



3D VIEW

NOTES:

1. DIMENSIONS IN BRACKETS [] ARE IN MILLIMETERS ROUNDED OFF TO THE NEAREST MILLIMETER, UNLESS OTHERWISE SPECIFIED AND ARE FOR REFERENCE ONLY.
2. MATERIAL: RUBBER (DIATEX).
3. FOR USE IN SEALING SIZE "A" MOLE OUTLETS.

TO ORDER BURNDY® PRODUCTS CALL		OUTLET PLUG "A"	
UNITED STATES 1-800-346-4175 (LONDONDERRY, NH)		ITEM NO: 218204	
CANADA: 1-800-361-6975 (QUEBEC) 1-800-387-6487 (ALL OTHER PROVINCES)		CAT. NO: Z29P	
FOR PRODUCT INFO: http://www.burndy.com		DRAWN BY: MASON 07/25/2012	
		CHECKER: J.P.S 07/25/2012	
		DSN APRVL: W ZAHLMAN 06/03/2014	
		MFG APRVL: F CHISOLM 05/28/2014	
		QA APRVL: T WATTS 05/28/2014	
		MKT APRVL: S MOIST 05/28/2014	
		PROD FAM: --	
		DRAWING NO	
		SA074122-01	
		REV	
		B	
		SHEET 1 OF 1	