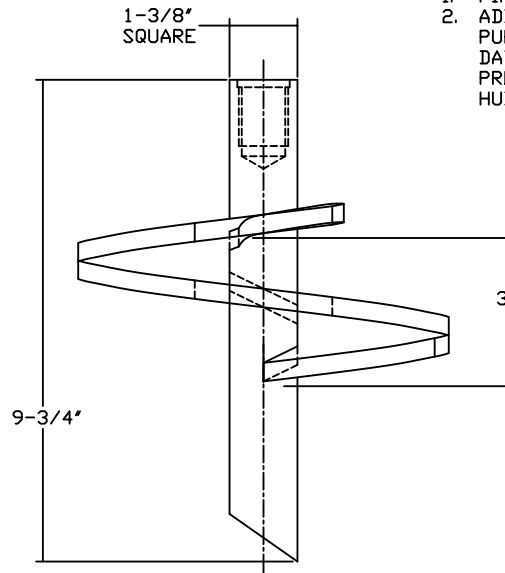
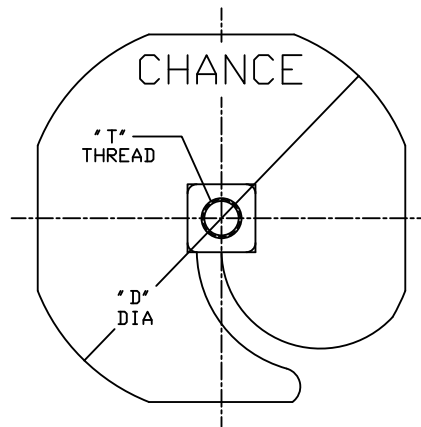



STANDARD STRENGTH		
CAT NO	"D"	"T"
024474	8"	5/8"
024475	8"	1"
024476	10"	5/8"
024478	10"	1"
024462	12"	5/8"
024481	12"	1"
024484	14"	1"
024465	15"	1"
E102-1830	14"	1"
E102-1831	15"	1"
T102-2335	14"	.646"

MID STRENGTH		
CAT NO	"D"	"T"
E102-1629	8"	5/8"
E102-1632	8"	1"
E102-1630	10"	5/8"
E102-1633	10"	1"
E102-1631	12"	5/8"
E102-1634	12"	1"
E102-1801	14"	1"
E102-1802	15"	1"



- NOTES-
1. FINISH: BLACK PAINT
 2. ADD USA SUFFIX TO CATALOG NUMBER FOR BUY AMERICA ITEMS. PURCHASERS OF BUY AMERICA ITEMS WILL BE PROVIDED A DATED CERTIFICATE OF COMPLIANCE TO SPECIFIC BUY AMERICA PROVISIONS IF REQUESTED AT THE TIME OF ORDER. CONTACT HUBBELL POWER SYSTEMS CUSTOMER SERVICE FOR DETAILS.

CHANCE*		 HUBBELL® POWER SYSTEMS <small>POWER SYSTEMS, INC.</small>	
CONFIDENTIAL: THIS DRAWING AND ITS CONTENTS ARE CONFIDENTIAL AND THE EXCLUSIVE PROPERTY OF HUBBELL POWER SYSTEMS. NO PUBLICATION, DISTRIBUTION OR COPIES MAY BE MADE WITHOUT THE WRITTEN CONSENT OF HUBBELL POWER SYSTEMS. HUBBELL POWER SYSTEMS UNPUBLISHED ALL RIGHTS RESERVED UNDER THE COPYRIGHT LAWS.		TITLE HELIX AND CORE ASSEMBLY	
SIZE B	DWG NO. SA102-00000	CAT / PART / ASSY NO. SEE CHART	REV D
DO NOT SCALE THIS DRAWING	DRN BY TNT	DATE 06/18/13	SHEET 1 OF 1