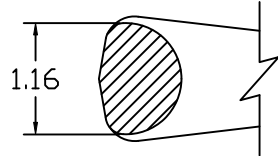
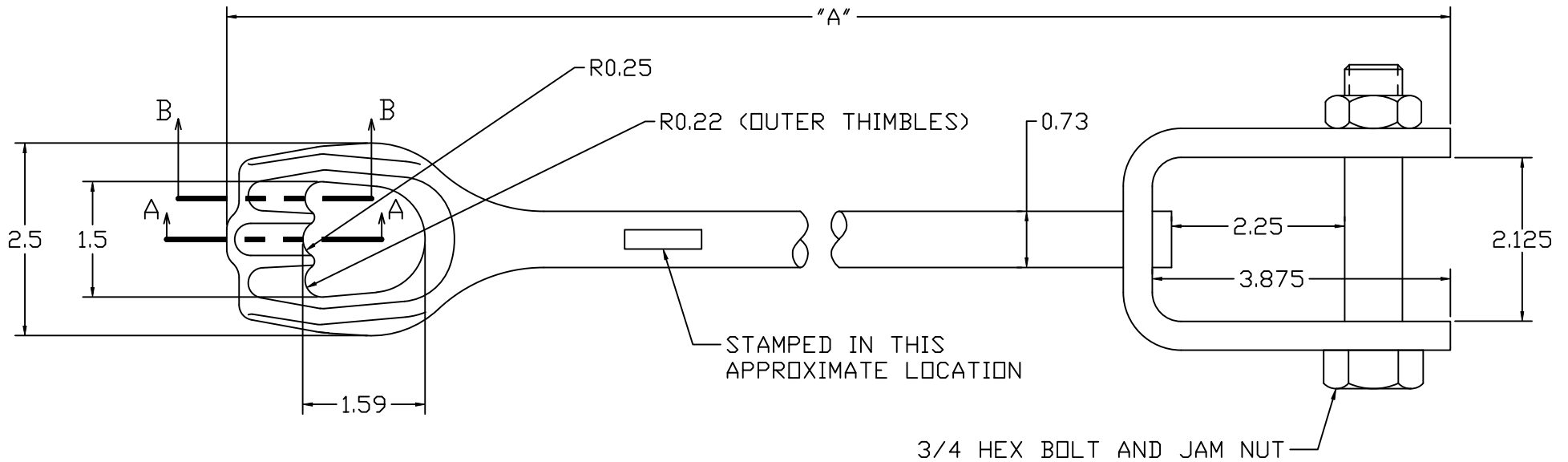


SECTION A-A




SECTION B-B



CATALOG NO.	DESCRIPTION	" A "	STAMP
PSC1022176	2 FT TRIPLEYE EXTENSION ROD	24	C-3/4-2X
PSC1022177	3 FT TRIPLEYE EXTENSION ROD	36	C-3/4-3X
PSC1022178	6 FT TRIPLEYE EXTENSION ROD	72	C-3/4-6X

NOTES:

1. ULTIMATE TENSION CAPACITY RATING: 23,000 LB. FAILURE TO ALIGN ROD WITHIN 5 DEGREES OF GUY LOAD MAY SIGNIFICANTLY REDUCE CAPACITY.
2. ROD MATERIAL: LOW CARBON STEEL.
3. FINISH: HOT-DIP GALVANIZED PER ASTM A153 (LATEST REVISION).
4. ROD STAMPED AS SHOWN IN TABLE.

CHANCE <sup>®</sup>		 <b>HUBBELL POWER SYSTEMS</b> <small>100 YEARS OF SERVICE</small>	
<small>CONFIDENTIAL: THIS DRAWING AND ITS CONTENTS ARE CONFIDENTIAL AND THE EXCLUSIVE PROPERTY OF HUBBELL POWER SYSTEMS. NO PUBLICATION, DISTRIBUTION OR COPIES MAY BE MADE WITHOUT THE WRITTEN CONSENT OF HUBBELL POWER SYSTEMS. HUBBELL POWER SYSTEMS UNPUBLISHED ALL RIGHTS RESERVED UNDER THE COPYRIGHT LAWS.</small>		<b>TITLE</b> 3/4" TRIPLEYE EXTENSION ROD	
<small>SIZE</small> <b>C</b>	<small>DWG NO.</small> <b>SA1022176</b>	<small>CAT / PART / ASSY NO.</small> <b>SEE TABLE</b>	<small>REV</small> <b>A</b>
<small>DO NOT SCALE THIS DRAWING</small>		<small>DRN BY</small> GVV	<small>DATE</small> 4/25/22
		<small>SHEET</small> 01	<small>OF</small> 01