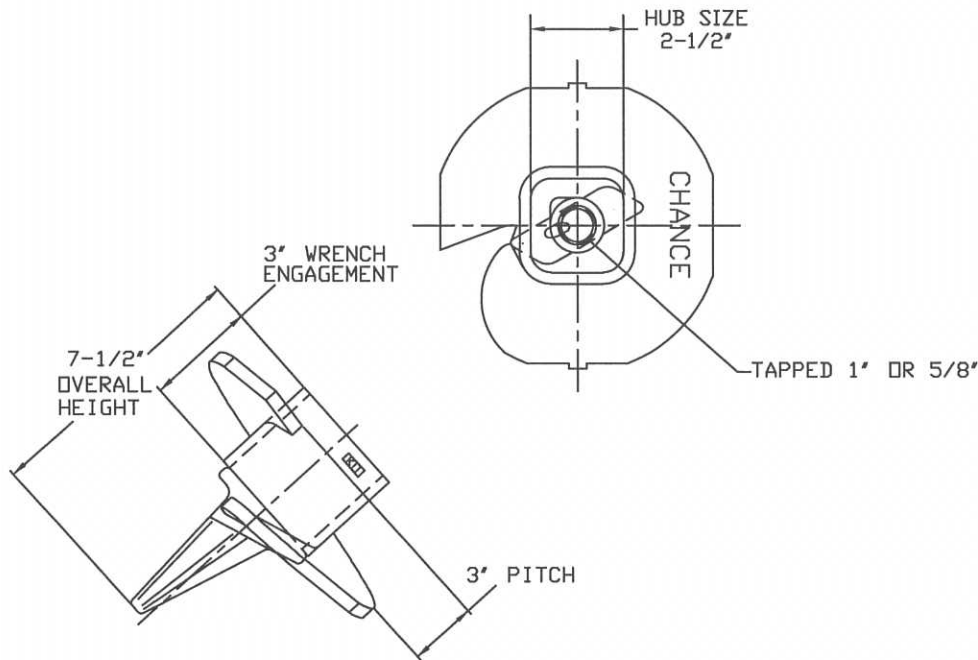



CAT. NO.	SIZE	TORQUE RATING	TAP SIZE	RATED TENSILE STRENGTH (LB.)		PROJECTED AREA (IN ²)
C102-5000	8"	15,000	1"	36,000	NOTE-2	45
C102-5004	8"	10,000	1"	36,000	NOTE-2	45
C102-5008	8"	10,000	5/8"	16,000	NOTE-2	45
C102-5001	10"	15,000	1"	36,000	NOTE-2	72
C102-5005	10"	10,000	1"	36,000	NOTE-2	72
C102-5009	10"	10,000	5/8"	16,000	NOTE-2	72
C102-5002	12"	15,000	1"	36,000	NOTE-2	104
C102-5006	12"	10,000	1"	36,000	NOTE-2	104
C102-5010	12"	10,000	5/8"	16,000	NOTE-2	104
C102-5003	14"	15,000	1"	36,000	NOTE-2	141
C102-5007	14"	10,000	1"	36,000	NOTE-2	141



==NOTES==

1. FINISH: BLACK PAINT.
2. RATED TENSILE STRENGTH IS BASED ON THE ROD USED.

CHANCE		 HUBBELL POWER SYSTEMS	
<small>CONFIDENTIAL: THIS DRAWING AND ITS CONTENTS ARE CONFIDENTIAL AND THE EXCLUSIVE PROPERTY OF HUBBELL POWER SYSTEMS. NO PUBLICATION, DISTRIBUTION OR COPIES MAY BE MADE WITHOUT THE WRITTEN CONSENT OF HUBBELL POWER SYSTEMS. HUBBELL POWER SYSTEMS UNPUBLISHED ALL RIGHTS RESERVED UNDER THE COPYRIGHT LAWS.</small>		TOUGH ONE 10,000 & 15,000	
<small>DO NOT SCALE THIS DRAWING</small>	<small>DRN BY MARTIN</small>	<small>DATE 12-16-93</small>	<small>SHEET 1/1</small>