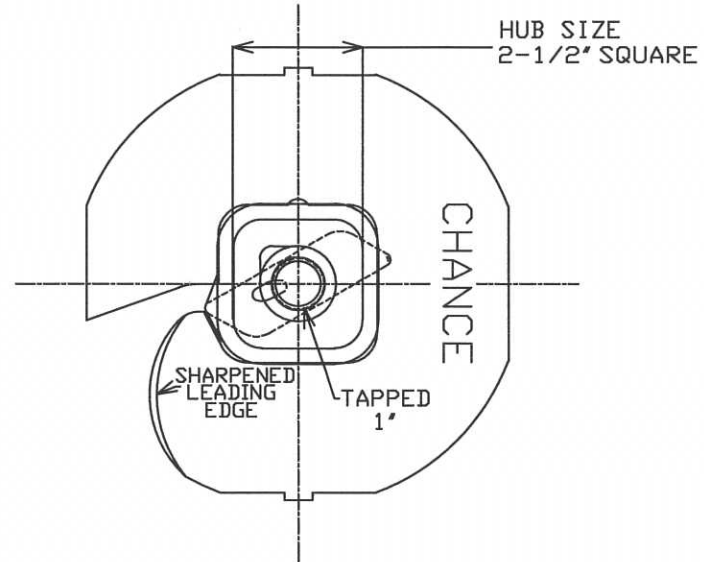
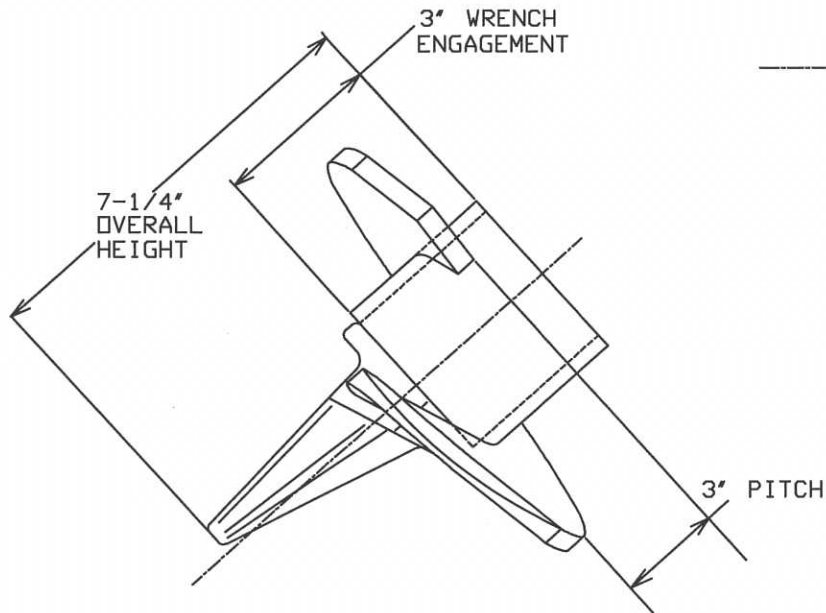



CAT. NO.	SIZE	TORQUE RATING	TAP SIZE	RATED TENSILE STRENGTH (L.B.)		PROJECTED AREA (IN <sup>2</sup> )
T102-5060	8"	15,000 FT. L.B.	1"	36,000	NOTE-2	45
T102-5061	10"	15,000 FT. L.B.	1"	36,000	NOTE-2	72
T102-5062	12"	15,000 FT. L.B.	1"	36,000	NOTE-2	104
T102-5063	14"	15,000 FT. L.B.	1"	36,000	NOTE-2	141

==NOTES==

1. FINISH: BLACK PAINT.
2. RATED TENSILE STRENGTH IS BASED ON THE ROD USED.
3. ALL MATERIALS ARE TRACEABLE TO MILL CERTIFICATION.



CHANCE		 <b>HUBBELL POWER SYSTEMS</b> <small>POWER SYSTEMS, INC.</small>	
<small>CONFIDENTIAL: THIS DRAWING AND ITS CONTENTS ARE CONFIDENTIAL AND THE EXCLUSIVE PROPERTY OF HUBBELL POWER SYSTEMS. NO PUBLICATION, DISTRIBUTION OR COPIES MAY BE MADE WITHOUT THE WRITTEN CONSENT OF HUBBELL POWER SYSTEMS. HUBBELL POWER SYSTEMS UNPUBLISHED ALL RIGHTS RESERVED UNDER THE COPYRIGHT LAWS.</small>			
<small>TITLE</small> <b>TOUGH ONE ANCHORS 15,000 FT-LB</b>		<small>SIZE</small> <b>B SA102-5060</b>	<small>CAT / PART / ASSY NO.</small> <b>SEE CHART</b>
<small>DO NOT SCALE THIS DRAWING</small>	<small>DRN BY</small> TNT	<small>DATE</small> 06/20/13	<small>SHEET 1 OF 1</small>