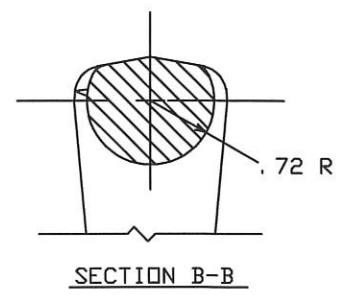
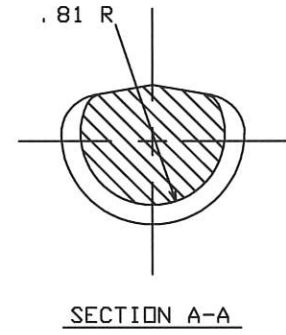
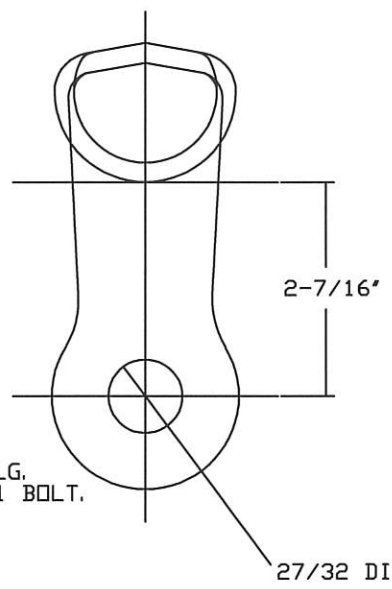


3/4" X 3-3/4" LG.
ASTM A325 TYPE 1 BOLT.



CHANCE TOLERANCE CHART <small>X ± .060 FRAC ±1/16 ANGLES 30° Y ± .030 AND DRAFT UNLESS NOTED Z ± .005 CASTING 2° FINISHES 7°</small>		HUBBELL POWER SYSTEMS	
<small>CONFIDENTIAL: THIS DRAWING AND ITS CONTENTS ARE CONFIDENTIAL AND THE EXCLUSIVE PROPERTY OF HUBBELL POWER SYSTEMS. NO PUBLICATION, DISTRIBUTION OR COPIES MAY BE MADE WITHOUT THE WRITTEN CONSENT OF HUBBELL POWER SYSTEMS. HUBBELL POWER SYSTEMS UNPUBLISHED ALL RIGHTS RESERVED UNDER THE COPYRIGHT LAWS.</small>		TITLE TRIPLEYE SHACKLE	
SIZE SB SA1100574	DWG NO. SA1100574	CAT / PART / ASSY NO. C1100574	REV B
<small>DO NOT SCALE THIS DRAWING</small>	<small>DRN BY CBW</small>	<small>DATE 11/15/22</small>	<small>SHEET 1/1</small>