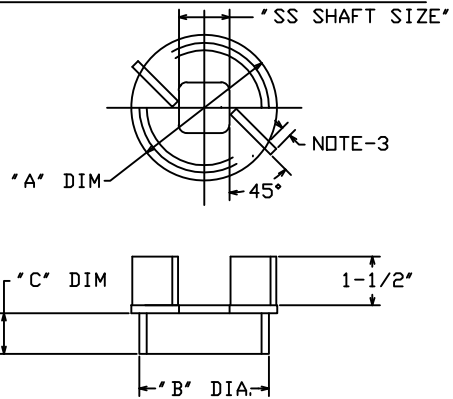


DISPLACEMENT PLATES FOR CASED GROUT COLUMNS

CASED LEAD DISPLACEMENT PLATE (CLDP)



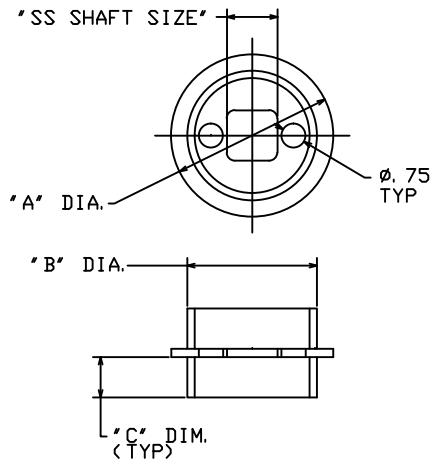
-NOTES-

1. MAT'L: 1/4" THICK STEEL.
2. PADDLES OVERHANG OUTSIDE PERIMETER OF PLATE.

CASED LEAD DISPLACEMENT PLATE

| CAT. NO. | " A " | " B " | " C " | SS SHAFT SIZE |
|----------|-------|-------|--------|---------------|
| T1100911 | 5" | 4" | 1-1/4" | 1-1/2" |
| C1100912 | 7" | 6" | 1-3/4" | 1-3/4" |

CASED EXTENSION DISPLACEMENT PLATE (CEDP)



CASED EXTENSION DISPLACEMENT PLATE

| CAT. NO. | " A " | " B " | " C " | SS SHAFT SIZE |
|----------|-------|-------|--------|---------------|
| T1100913 | 5" | 4" | 1-1/4" | 1-1/2" |
| C1100914 | 7" | 6" | 1-3/4" | 1-3/4" |

HELICAL PULLDOWN[®] MICROPILE

| | | | |
|--|--|---|-------------------|
| CHANCE | HUBBELL POWER SYSTEMS <small>POWER SYSTEMS, INC.</small> | | |
| CONFIDENTIAL: THIS DRAWING AND ITS CONTENTS ARE CONFIDENTIAL AND THE EXCLUSIVE PROPERTY OF HUBBELL POWER SYSTEMS. NO PUBLICATION, DISTRIBUTION OR COPIES MAY BE MADE WITHOUT THE WRITTEN CONSENT OF HUBBELL POWER SYSTEMS. HUBBELL POWER SYSTEMS UNPUBLISHED ALL RIGHTS RESERVED UNDER THE COPYRIGHT LAWS. | TITLE CASED DISPLACEMENT PLATES | | |
| SIZE SB SA1100911 | DWG NO. SA1100911 | CAT / PART / ASSY NO. SEE CHART | REV --- |
| DO NOT SCALE THIS DRAWING | DRN BY TLW | DATE 5/24/11 | SHEET 1/1 |