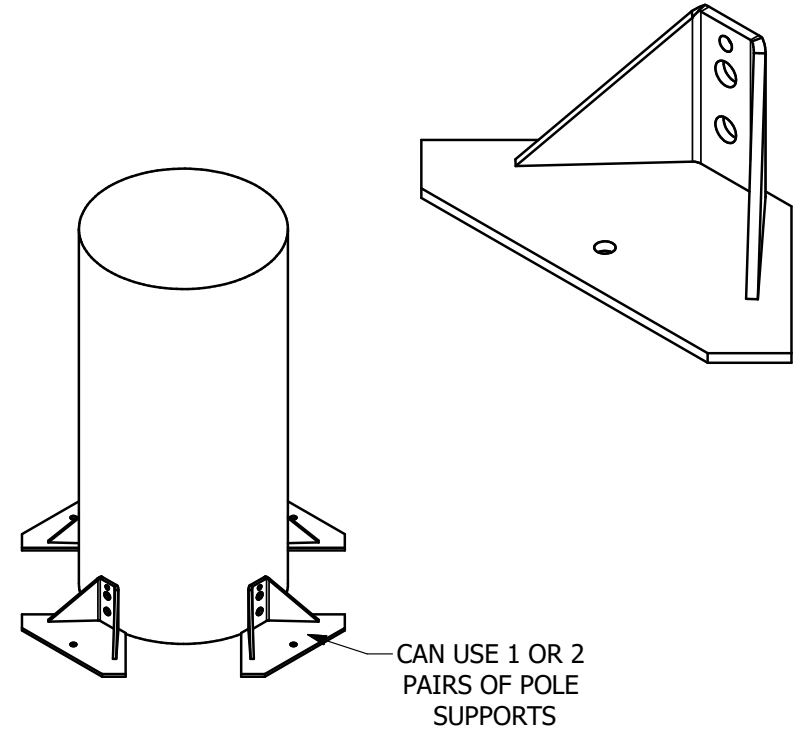


CAT. NO. C1100926
(SOLD AS A SINGLE UNIT, NOT IN PAIRS)



-NOTES-

1. MATERIAL: STEEL PLATE PER ASTM A36, 3/8" THICK.
2. FINISH: HOT DIP GALVANIZE ASTM-A153-(LATEST REV.)
3. ONE POLE SUPPORTS ADDS 90 IN² OF AREA TO BOTTOM OF POLE.

BOLTS (SOLD SEPARATELY)

DESC.	CAT. NO.	LENGTH
7/8" MACH. BOLT	C2050256	18"
7/8" MACH. BOLT	C2050257	20"
7/8" MACH. BOLT	C2050258	22"

CHANCE ®		HUBBELL ® POWER SYSTEMS, INC.	
CONFIDENTIAL: THIS DRAWING AND ITS CONTENTS ARE CONFIDENTIAL AND THE EXCLUSIVE PROPERTY OF HUBBELL POWER SYSTEMS. NO PUBLICATION, DISTRIBUTION, OR COPIES MAY BE MADE WITHOUT THE WRITTEN CONSENT OF HUBBELL POWER SYSTEMS, HUBBELL POWER SYSTEMS UNPUBLISHED ALL RIGHTS RESERVED UNDER THE COPYRIGHT LAWS.		TITLE POLE SUPPORT	
SIZE B	CAT / PART / ASSY NO. C1100926	DWG NO. SA1100926	REV C
DO NOT SCALE THIS DRAWING	DRN BY RN	DATE 1/10/2023	SHEET 1 OF 1