

-NOTES-

1. BASE MATERIAL: STEEL PLATE PER ASTM A36, 1/4" THICK. TRIANGLE GUSSET MATERIAL: STEEL PLATE PER ASTM A36, 3/8" THICK.
2. FINISH: HOT DIP GALVANIZED PER ASTM A153-(LATEST REVISION).
3. ONE PAIR OF POLE SUPPORTS ADDS 245 IN² OF AREA TO BOTTOM OF POLE.
TWO PAIRS OF POLE SUPPORTS ADD 490 IN² OF AREA TO BOTTOM OF POLE.
4. EACH THROUGH BOLT INCLUDES MF LOCK NUT.
5. EACH BEARING PLATE TO INCLUDE GROUNDING LUG AND HARDWARE.

CATALOG NUMBERING SYSTEM

C 1 1 0 0 9 5 4 - X - X X - X

POSITION 9:

NO. OF BRACKETS

2 = 2 BRACKETS
4 = 4 BRACKETS

POSITIONS 10 & 11:

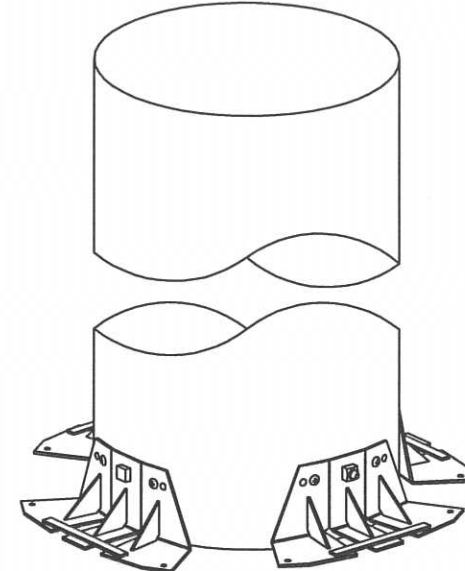
BOLT LENGTH

16 = 16"
18 = 18"
20 = 20"
22 = 22"
24 = 24"
26 = 26"
28 = 28"
30 = 30"

POSITION 12:

LAG SCREWS

BLANK = NO LAG SCREWS
H = LAG SCREWS INCLUDED



CHANCE		HUBBELL POWER SYSTEMS POWER SYSTEMS, INC.		
<small>CONFIDENTIAL: THIS DRAWING AND ITS CONTENTS ARE CONFIDENTIAL AND THE EXCLUSIVE PROPERTY OF HUBBELL POWER SYSTEMS. NO PUBLICATION, DISTRIBUTION OR COPIES MAY BE MADE WITHOUT THE WRITTEN CONSENT OF HUBBELL POWER SYSTEMS. HUBBELL POWER SYSTEMS UNPUBLISHED ALL RIGHTS RESERVED UNDER THE COPYRIGHT LAWS.</small>		TITLE POLE BEARING ASSEMBLY, LARGE		
SIZE B	DWG NO. SA1100954-2-16	CAT / PART / ASSY NO. SEE CHART		REV C
DO NOT SCALE THIS DRAWING	DRN BY TLW	DATE 10/19/11	SHEET 1/1	