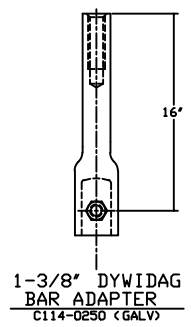
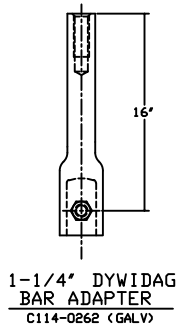
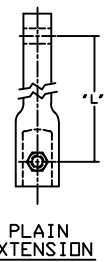
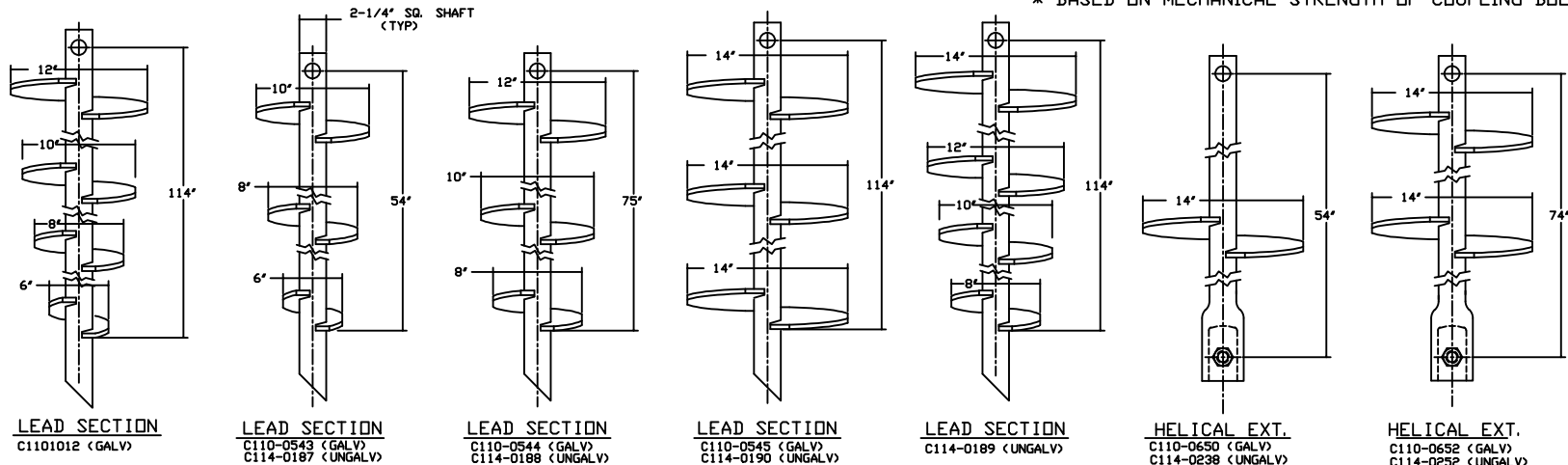


TORQUE STRENGTH RATING-21,000 FT-LB  
 ULTIMATE CAPACITY \* (TENSION/COMPRESSION)-200 KIP  
 \* BASED ON MECHANICAL STRENGTH OF COUPLING BOLT.



| CAT. NO.  | FINISH | " L " |
|-----------|--------|-------|
| C110-0646 | GALV   | 54"   |
| C114-0244 | UNGALV | 54"   |
| C110-0647 | GALV   | 74"   |
| C114-0245 | UNGALV | 74"   |

=NOTES=

1. LEAD AND EXTENSION SECTION LENGTHS AND HELIX SPACINGS ARE NOMINAL.
2. NOMINAL SPACING BETWEEN HELIX PLATES IS THREE TIMES THE DIAMETER OF THE LOWER HELIX.
3. COUPLING BOLT IS 1.25"-7UNC HEX HEAD BOLT PER ASTM A193 GRADE B7 WITH HEX JAM NUT.
4. MANUFACTURER TO HAVE IN EFFECT INDUSTRY RECOGNIZED WRITTEN QUALITY CONTROL FOR ALL MATERIALS AND MANUFACTURING PROCESSES.
5. ALL WELDING TO BE DONE BY WELDERS CERTIFIED UNDER SECTION 5 OF THE AWS CODE D1.1.
6. ITEMS MARKED "GALV" ARE HOT DIP GALVANIZED PER ASTM A153-(LATEST REV.)

|  |  |   |                 |
|--|--|---|-----------------|
| <b>CHANCE</b><br>TOLERANCE CHART<br><small>           X ± .005 TRIC 3/16 ANGLES .5°<br/>           .001 ± .001 HUB BRKT (UNLESS NOTED)<br/>           .001 ± .001 CASTING 3" FORGINGS 7"         </small>  |  |   |                 |
|  | <b>HUBBELL POWER SYSTEMS</b><br>TITLE<br><b>SS225</b><br><b>ANCHORS AND EXTENSIONS</b> |   |                 |
| <small>CONFIDENTIAL: THIS DRAWING AND ITS CONTENTS ARE CONFIDENTIAL AND THE EXCLUSIVE PROPERTY OF HUBBELL POWER SYSTEMS. NO PUBLICATION, DISTRIBUTION OR COPIES MAY BE MADE WITHOUT THE WRITTEN CONSENT OF HUBBELL POWER SYSTEMS. HUBBELL POWER SYSTEMS UNPUBLISHED. ALL RIGHTS RESERVED UNDER THE COPYRIGHT LAWS.</small> | SIZE DWG NO.<br><b>SBI SA110-10020</b>   | CAT / PART / ASSY NO.<br><b>SEE CHART</b> | REV<br><b>K</b> |
| DO NOT SCALE THIS DRAWING  | DRN BY JCA   | DATE 8/17/09                              | SHEET 1/1       |