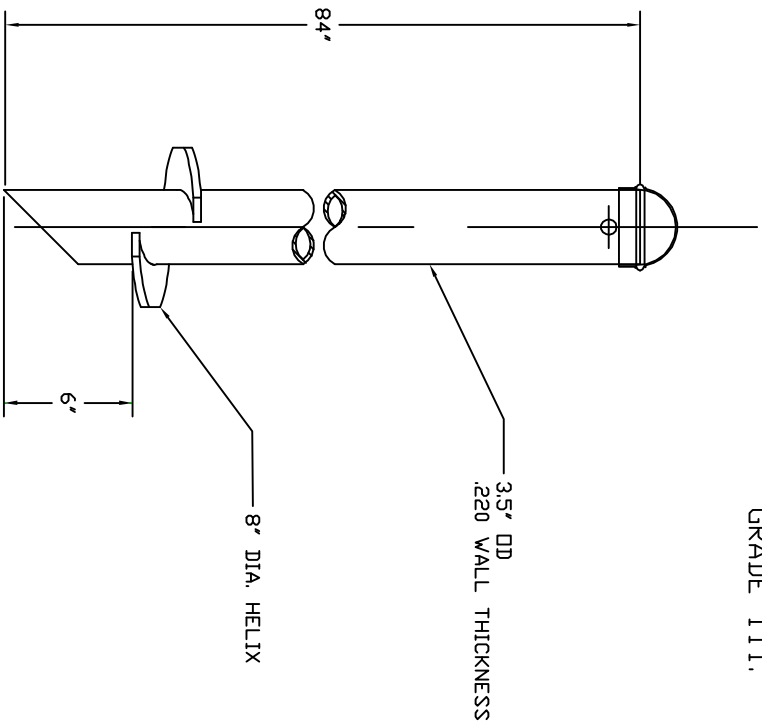



1. HOT DIP GALV. PER ASTM A153-(LATEST REVISION).
2. PIPE MATERIAL PER ASTM A500 GRADE B OR ASTM A618 GRADE III.

NOTES

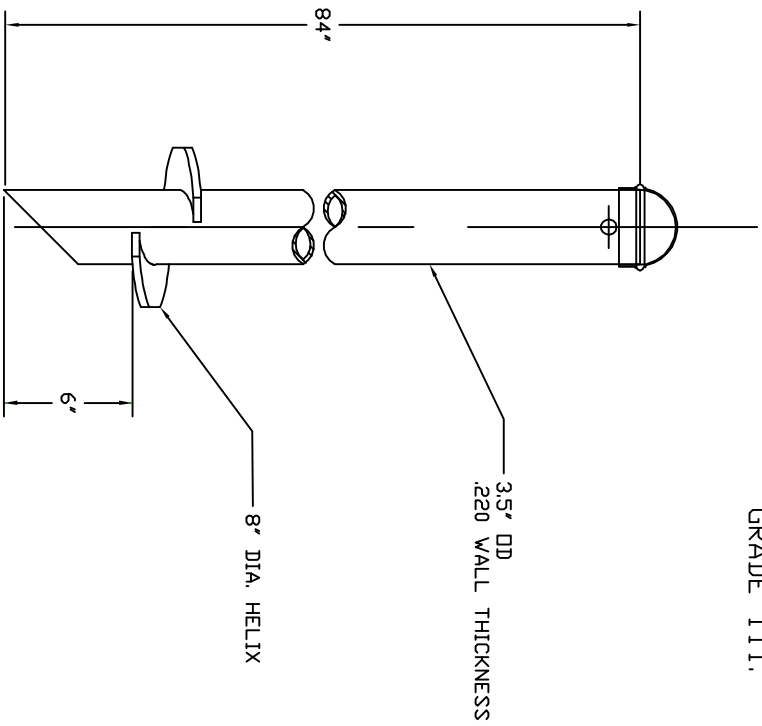


CATALOG NUMBER
C112-0275


CHANCE TOLERANCE CHART		 HUBBELL POWER SYSTEMS	
<small>CONFIDENTIAL: THIS DRAWING AND THE INFORMATION CONTAINED HEREIN ARE THE EXCLUSIVE PROPERTY OF HUBBELL POWER SYSTEMS. NO REPRODUCTION, STORAGE, OR DISSEMINATION OF THIS DRAWING OR THE INFORMATION CONTAINED HEREIN IS PERMITTED WITHOUT THE WRITTEN CONSENT OF HUBBELL POWER SYSTEMS. UNPUBLISHED. ALL RIGHTS RESERVED UNDER THE COPYRIGHT LAWS.</small>			
<small>TITLE</small> BUMPER POST	<small>SIZE</small> B	<small>DWG NO.</small> SA112-0275	<small>CAT / PART / ASSY NO.</small> C112-0275
<small>DO NOT SCALE THIS DRAWING</small>	<small>DRN BY</small> KSH	<small>DATE</small> 4/23/07	<small>SHEET</small> 1 OF 1
<small>REV</small> --	<small>REV</small> --		

1. HOT DIP GALV. PER ASTM A153-(LATEST REVISION).
2. PIPE MATERIAL PER ASTM A500 GRADE B OR ASTM A618 GRADE III.

NOTES



CATALOG NUMBER
C112-0275

CHANCE TOLERANCE CHART		 HUBBELL POWER SYSTEMS	
<small>CONFIDENTIAL: THIS DRAWING AND THE INFORMATION CONTAINED HEREIN ARE THE EXCLUSIVE PROPERTY OF HUBBELL POWER SYSTEMS. NO REPRODUCTION, COPIING, OR DISSEMINATION OF THIS DRAWING OR THE INFORMATION CONTAINED HEREIN IS PERMITTED WITHOUT THE WRITTEN CONSENT OF HUBBELL POWER SYSTEMS. UNPUBLISHED. ALL RIGHTS RESERVED UNDER THE COPYRIGHT LAWS.</small>			
<small>TITLE</small> BUMPER POST	<small>SIZE</small> B	<small>DWG NO.</small> SA112-0275	<small>CAT / PART / ASSY NO.</small> C112-0275
<small>DO NOT SCALE THIS DRAWING</small>	<small>DRN BY</small> KSH	<small>DATE</small> 4/23/07	<small>SHEET</small> 1 OF 1
<small>REV</small> --	<small>REV</small> --		