

-NOTES-

1. FINISH: HOT DIP GALVANIZE PER ASTM-A153 (LATEST REVISION).
2. BASEPLATE TO BE PERPENDICULAR TO SHAFT AXIS ($\pm 1^\circ$) AND HOLE CENTERLINE CONCENTRIC ($\pm .188$) TO SHAFT AXIS.
3. STENCIL MIN. 1/2 IN. LETTERS MANUFACTURER'S NUMBER AFTER GALVANIZING.
4. PILOT POINT AND SHAFT AXES TO BE CONCENTRIC ($\pm .125$ FIM) AND IN LINE ($\pm 2^\circ$).
5. FLAME CUT TWO SLOTS IN SHAFT PERPENDICULAR TO THE BASEPLATE. PREHEAT, TUMBLEBLAST, HANDGRIND, AND CLEAN BASEPLATE.
6. HELIX AND PILOT POINT ON ALL WELDED AREAS.
7. FLAMECUT IRREGULARITIES PERMISSIBLE: (1) VALLEYS NOT TO EXCEED 3/32 IN. BELOW NOMINAL SURFACE LEVEL, (2) PEAKS OR POSITIVE IRREGULARITIES NOT TO EXCEED 1/32 IN. ABOVE NOMINAL SURFACE LEVEL OR INTERSECTIONS OF NOMINAL SURFACES.
8. MANUFACTURER TO HAVE IN EFFECT INDUSTRY RECOGNIZED WRITTEN QUALITY CONTROL FOR ALL MATERIALS AND MANUFACTURING PROCESSES. ALL MATERIAL IS TO BE NEW, UNUSED AND MILL TRACEABLE MEETING THE FOLLOWING SPECIFICATIONS:
- 9.

BASEPLATE: ASTM A36--(LATEST REVISION) STRUCTURAL STEEL
(CONFORM TO ASHTO TECH. BUL. #270).

SHAFT: STEEL PIPE PILES, SEAMLESS OR STRAIGHT WELDED,
GRADE-2 PER ASTM A252 ALL MATERIAL. STEEL PIPE TYPE
E OR S, GRADE B, STEEL PIPE OR ASTM A53.

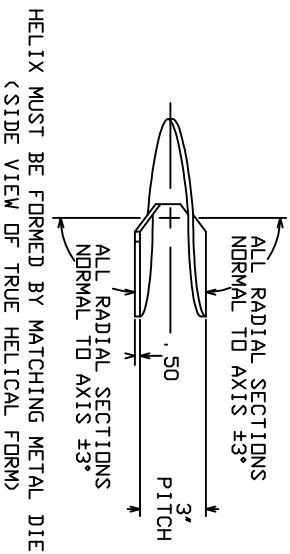
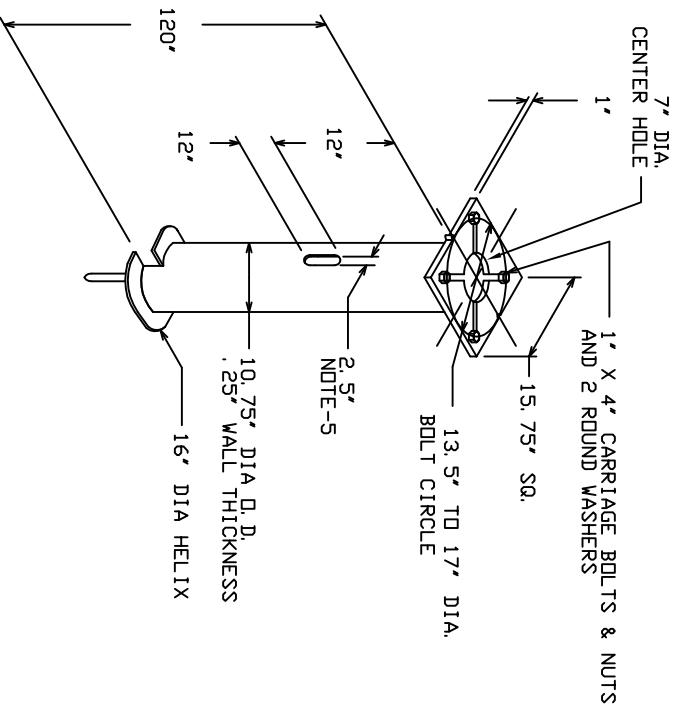
HELIX: ASTM A635 (LATEST REV'N) 1/2" THICK HOT ROLLED STEEL
PLATE OR COIL.

PILOT POINT: ASTM A575 (LATEST REV'N) 1-1/4" DIAMETER HOT ROLLED
STEEL BAR.

BOLTS: CARRIAGE BOLT 1-8UNC-2A PER ANSI B-18.5, SAE J429 GRADE-5.

NUTS: HEAVY HEX NUT PER ASTM A194 GRADE 2H OR ASTM A563 GRADE DH,
MEETING SUPPLEMENTARY REQUIREMENTS OF ASTM A563, 1-8UNC-2A PER
ANSI B18.2.2.

10. BASEPLATE IS PERMANENTLY STAMPED WITH MANUFACTURER'S IDENTIFICATION
'ABC' IN 1/2" LETTERS AND DATE CODE IN 1/4" LETTERS.
11. BASEPLATE PERMANENTLY MARKED TO INDICATE CABLEWAY OPENING IN SHAFT.



LIGHTING FOUNDATION
CAT. NO. T1120591

CHANCE		 HUBBELL POWER SYSTEMS HUBBELL POWER SYSTEMS UNPUBLISHED ALL RIGHTS RESERVED UNDER THE COPYRIGHT LAWS.	
CONFIDENTIAL: THIS DRAWING AND ITS CONTENTS ARE CONFIDENTIAL AND THE POWER SYSTEMS NO PUBLICATION, DISTRIBUTION OR COPIES MAY BE MADE WITHOUT THE WRITTEN CONSENT OF HUBBELL POWER SYSTEMS UNPUBLISHED.		TITLE LIGHTING FOUNDATION	
SIZE	DWG NO.	DRN BY	DATE
SB	S1120591	JVH	6/27/14
DO NOT SCALE THIS DRAWING			SHEET 1/1
			REV C