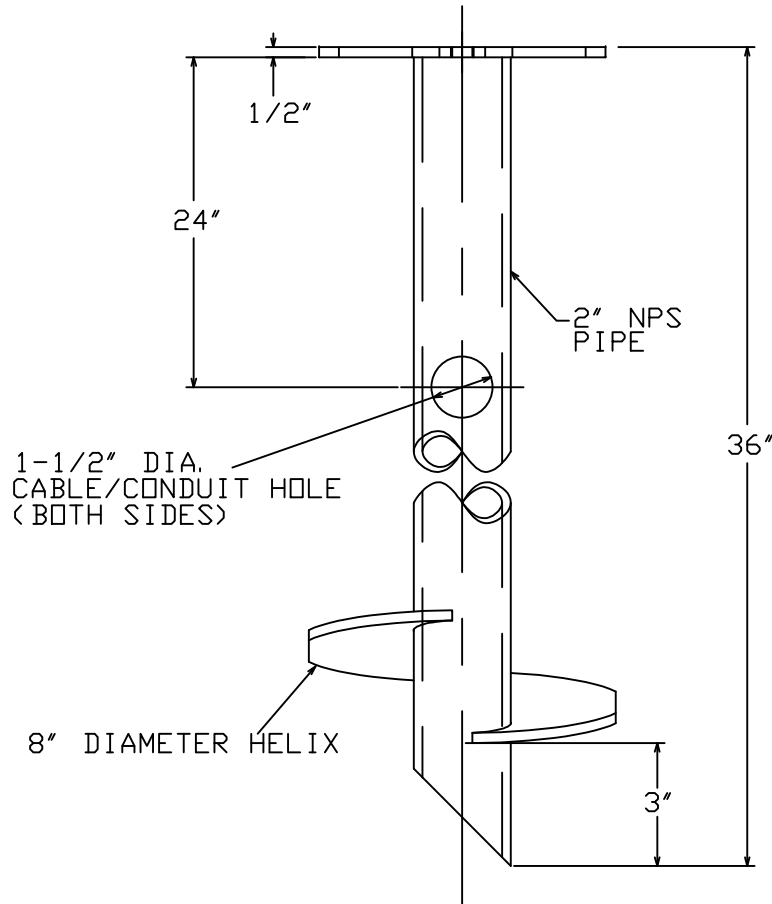



==NOTES==

1. HOT DIP GALVANIZE PER ASTM A153 (LATEST REVISION).
2. INCLUDES THREE SQUARE NECK CARRIAGE BOLTS, 1/2-13UNC 2-1/4" LONG, NUTS AND WASHERS.
3. INSTALATION TORQUE NOT TO EXCEED 2,500 FT-LB.



BOLLARD FOUNDATION
CAT. NO. T1120913

CHANCE		 HUBBELL POWER SYSTEMS POWER SYSTEMS, INC.		
BOLLARD FOUNDATION				
CONFIDENTIAL: THIS DRAWING AND ITS CONTENTS ARE CONFIDENTIAL AND THE EXCLUSIVE PROPERTY OF HUBBELL POWER SYSTEMS, INC. NO PUBLICATION, DISTRIBUTION OR COPIES MAY BE MADE WITHOUT THE PRIOR WRITTEN CONSENT OF HUBBELL POWER SYSTEMS, INC. HUBBELL POWER SYSTEMS UNPUBLISHED ALL RIGHTS RESERVED UNDER THE COPYRIGHT LAWS.	SIZE A	DWG NO. SA1120913	CATALOG # T1120913	REV -
DO NOT SCALE THIS DRAWING	DRN BY LMM	DATE 4/30/08	SHEET 10F1	