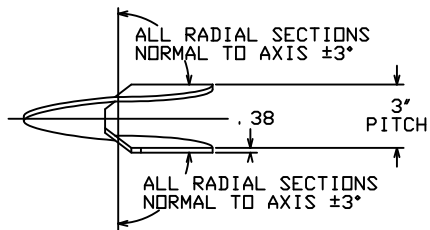
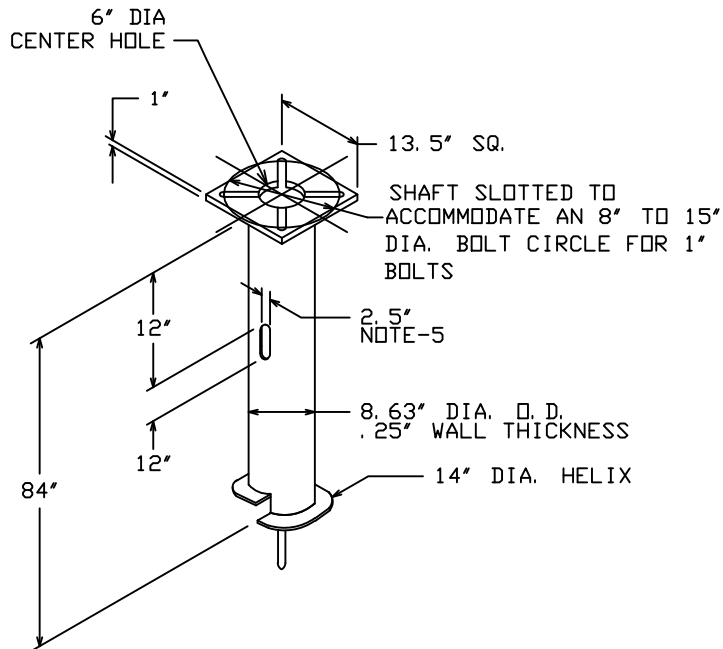


RECOMMENDED TORQUE  
NO GREATER THAN  
10,000 FT-LB




HELIX MUST BE FORMED BY MATCHING METAL DIE  
(SIDE VIEW OF TRUE HELICAL FORM)

*LIGHTING FOUNDATION  
CAT. NO. T1121052*

-NOTES-

1. FINISH: HOT DIP GALVANIZE PER ASTM-A153 (LATEST REVISION).
2. BASEPLATE TO BE PERPENDICULAR TO SHAFT AXIS ( $\pm 1^\circ$ ) AND HOLE CENTERLINE CONCENTRIC ( $\pm .188$ ) TO SHAFT AXIS.
3. STENCIL MIN. 1/2 IN. LETTERS MANUFACTURER'S NUMBER AFTER GALVANIZING.
4. PILOT POINT AND SHAFT AXES TO BE CONCENTRIC ( $\pm .125$  FIM) AND IN LINE ( $\pm 2^\circ$ )
5. FLAME CUT TWO SLOTS IN SHAFT PERPENDICULAR TO THE BASEPLATE.
6. PREHEAT, TUMBLEBLAST, HANDGRIND, AND CLEAN BASEPLATE, HELIX, AND PILOT POINT ON ALL WELDED AREAS.
7. FLAMECUT IRREGULARITIES PERMISSIBLE: (1) VALLEYS NOT TO EXCEED 3/32" BELOW NOMINAL SURFACE LEVEL, (2) PEAKS OR POSITIVE IRREGULARITIES NOT TO EXCEED 1/32 IN. ABOVE NOMINAL SURFACE LEVEL OR INTERSECTIONS OF NOMINAL SURFACES.
8. MANUFACTURER TO HAVE IN EFFECT INDUSTRY RECOGNIZED WRITTEN QUALITY CONTROL FOR ALL MATERIALS AND MANUFACTURING PROCESSES.
9. ALL MATERIAL IS TO BE NEW, UNUSED AND MILL TRACEABLE MEETING THE FOLLOWING SPECIFICATIONS:  
 BASEPLATE: ASTM A36-(LATEST REVISION) STRUCTURAL STEEL  
 (CONFORM TO AASHTO TECH. BUL. #270)  
  
 SHAFT: ASTM A252-(LATEST REVISION) GRADE 2, STEEL PIPE PILES.  
 ALTERNATE MATERIAL: ASTM A53-(LATEST REVISION) TYPE E OR S,  
 GRADE B, STEEL PIPE OR ASTM A500-(LATEST REVISION) GRADE B,  
 STRUCTURAL STEEL TUBING.  
  
 HELIX: ASTM A635-(LATEST REVISION) 3/8" THICK HOT ROLLED STEEL PLATE  
 OR COIL.  
  
 PILOT POINT: ASTM A575-(LATEST REVISION) 1-1/4" DIAMETER HOT ROLLED STEEL BAR.
10. BASEPLATE IS PERMANENTLY STAMPED WITH MANUFACTURER'S IDENTIFICATION "ABC" IN 1/2" LETTERS AND DATE CODE IN 1/4" LETTERS.
11. BASEPLATE PERMANENTLY MARKED TO INDICATE CABLEWAY OPENING IN SHAFT.

CHANCE		 <b>HUBBELL POWER SYSTEMS</b> <small>POWER SYSTEMS, INC.</small>	
<small>CONFIDENTIAL: THIS DRAWING AND ITS CONTENTS ARE CONFIDENTIAL AND THE EXCLUSIVE PROPERTY OF HUBBELL POWER SYSTEMS. NO PUBLICATION, DISTRIBUTION OR COPIES MAY BE MADE WITHOUT THE WRITTEN CONSENT OF HUBBELL POWER SYSTEMS. HUBBELL POWER SYSTEMS UNPUBLISHED ALL RIGHTS RESERVED UNDER THE COPYRIGHT LAWS.</small>		TITLE <b>LIGHTING FOUNDATION</b>	
SIZE	DWG NO.	REV	
SB	SA1121052	---	
DO NOT SCALE THIS DRAWING	DRN BY KSH	DATE 5/12/10	SHEET 1/1