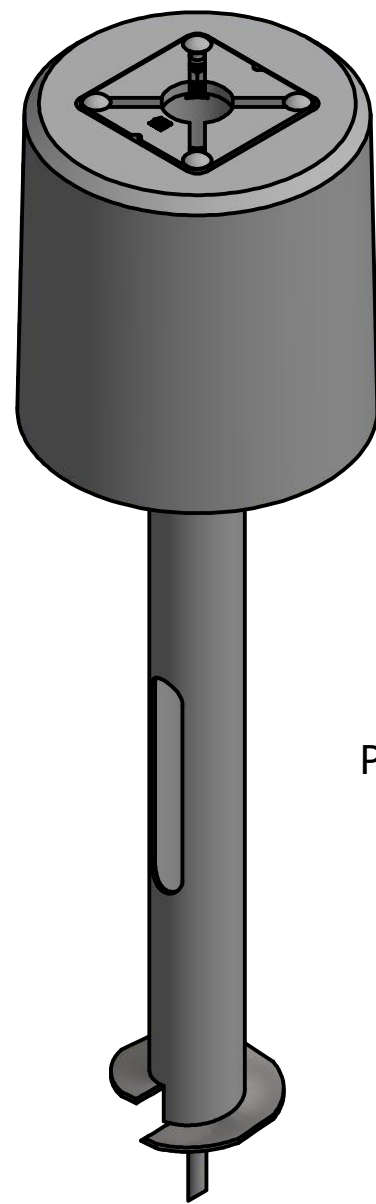
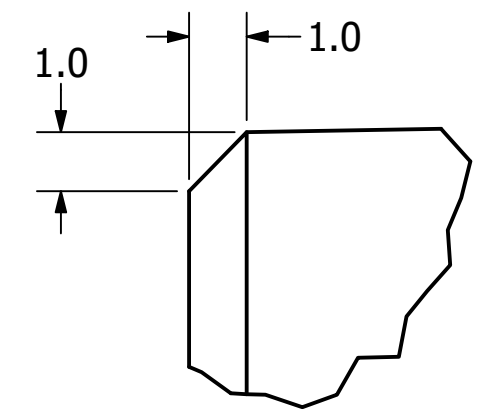
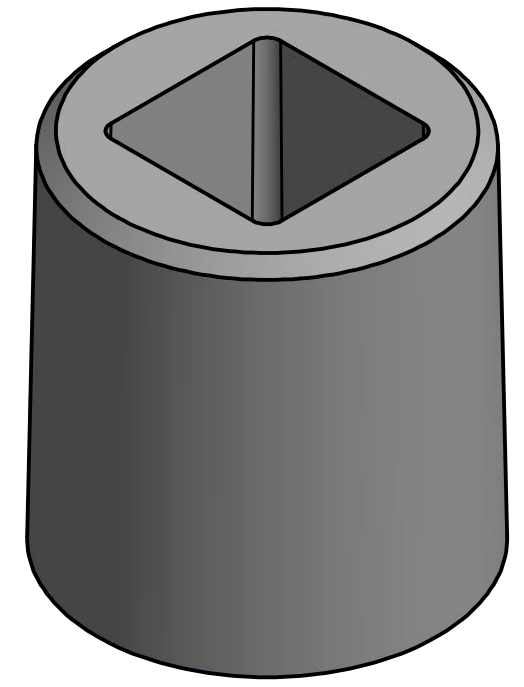
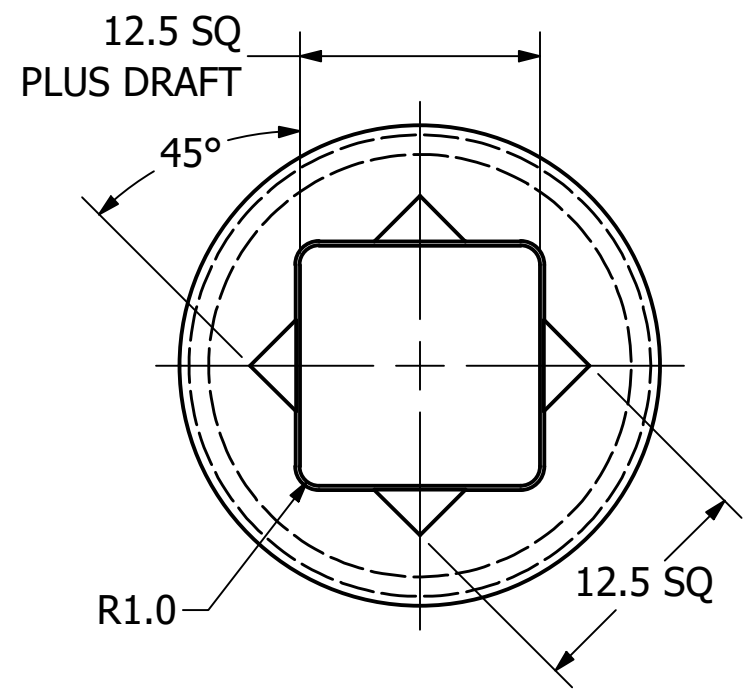
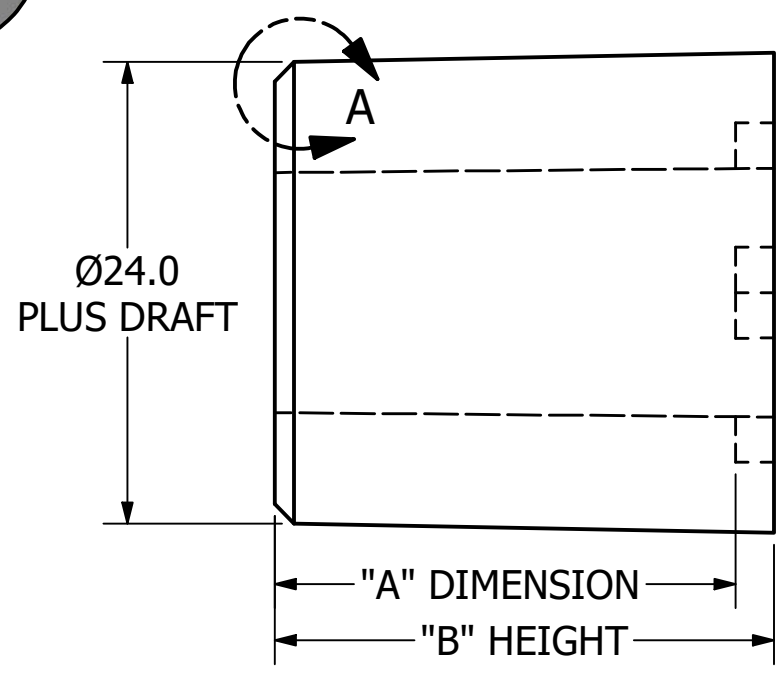


- NOTES--
1. MATERIAL: CONCRETE
 2. SEE SA1122621 FOR COMPATIBLE STEEL FOUNDATIONS



APPLICATION VIEW
SEE NOTE 2



DETAIL A

CATALOG NUMBER	"A" DIMENSION	"B" HEIGHT	CONCRETE COLOR
C1122610WHT	24.0	26.0	WHITE
C1122611WHT	12.0	14.0	WHITE
C1122610TAN	24.0	26.0	TAN
C1122611TAN	12.0	14.0	TAN
C1122610GRY	24.0	26.0	GRAY
C1122611GRY	12.0	14.0	GRAY

CHANCE [®] <small>CONFIDENTIAL: THIS DRAWING AND ITS CONTENTS ARE CONFIDENTIAL AND THE EXCLUSIVE PROPERTY OF HUBBELL POWER SYSTEMS. NO PUBLICATION, DISTRIBUTION, OR COPIES MAY BE MADE WITHOUT THE WRITTEN CONSENT OF HUBBELL POWER SYSTEMS. HUBBELL POWER SYSTEMS UNPUBLISHED ALL RIGHTS RESERVED UNDER THE COPYRIGHT LAWS.</small>	HUBBELL POWER SYSTEMS, INC.												
	FOUNDATION, PRECAST COLLAR 24 DIA, 12 SQ												
<small>DO NOT SCALE THIS DRAWING</small>	<table border="1"> <tr> <td>SIZE</td> <td>CAT / PART / ASSY NO.</td> <td>DWG NO.</td> <td>REV</td> </tr> <tr> <td>B</td> <td>SEE TABLE</td> <td>SA1122610</td> <td>B</td> </tr> </table>	SIZE	CAT / PART / ASSY NO.	DWG NO.	REV	B	SEE TABLE	SA1122610	B	<table border="1"> <tr> <td>DRN BY APB</td> <td>DATE 12/10/19</td> <td>SHEET 1 OF 1</td> </tr> </table>	DRN BY APB	DATE 12/10/19	SHEET 1 OF 1
SIZE	CAT / PART / ASSY NO.	DWG NO.	REV										
B	SEE TABLE	SA1122610	B										
DRN BY APB	DATE 12/10/19	SHEET 1 OF 1											