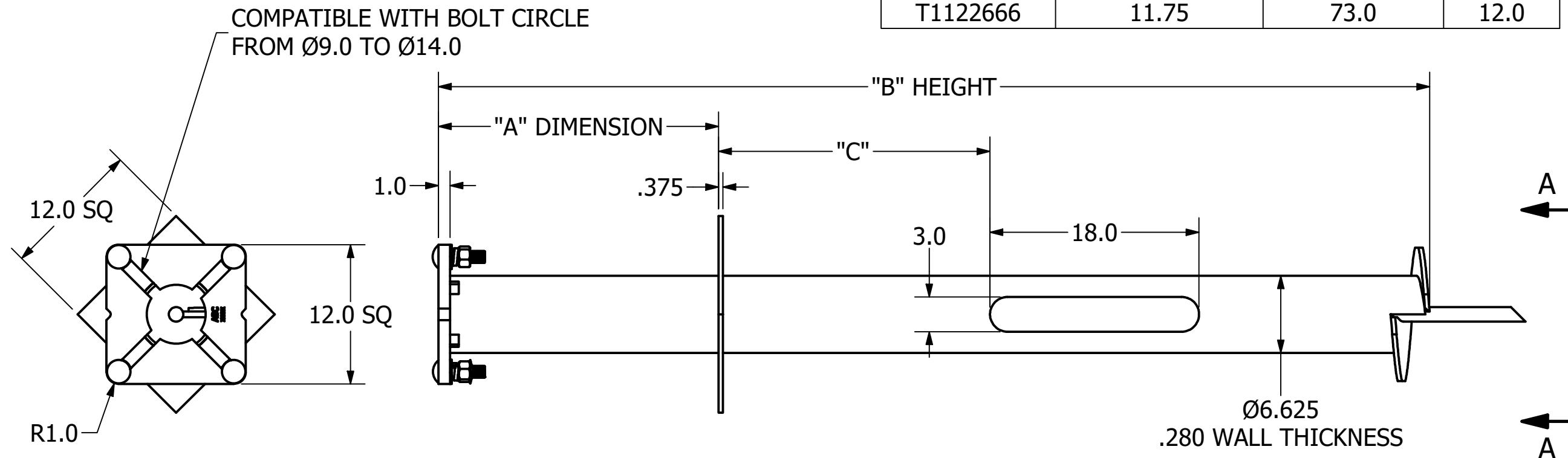
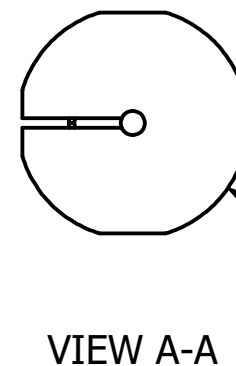


| CATALOG NUMBER | "A" DIMENSION | "B" HEIGHT | "C"  |
|----------------|---------------|------------|------|
| T1122621       | 23.75         | 109.0      | 25.0 |
| T1122622       | 11.75         | 97.0       | 25.0 |
| T1122656       | 23.75         | 85.0       | 12.0 |
| T1122666       | 11.75         | 73.0       | 12.0 |

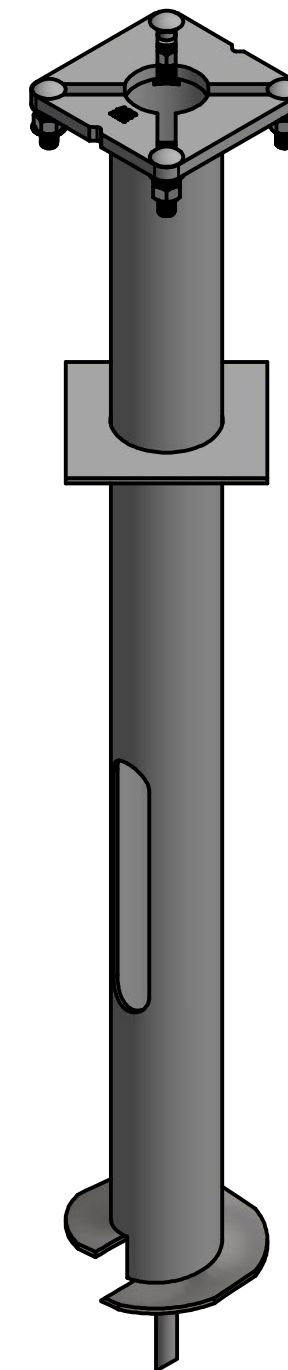



--NOTES--

- MATERIAL: ALL MATERIAL IS TO BE NEW, UNUSED, AND MILL TRACEABLE MEETING THE FOLLOWING SPECIFICATIONS:  
BASEPLATE: ASTM A36 STEEL (CONFORMS TO AASHTO TECH BUL #270)  
SHAFT: ASTM A500 GRADE B STEEL TUBING. ALTERNATE MATERIAL PER ASTM A53 TYPE E OR S, GRADE B STEEL PIPE OR ASTM A252 GRADE 2 STEEL PIPE  
HELIX: ASTM A635 HOT ROLLED STEEL PLATE OR COIL  
PILOT POINT: ASTM A575 Ø1-1/4" HOT ROLLED STEEL BAR  
BOLTS: CARRIAGE BOLTS, 1-8 UNC-2A PER ANSI B18.5 STEEL PER SAE J429 GRADE 5  
NUTS: HEAVY HEX NUTS, 1-8 UNC-2B PER ANSI B18.2.2 STEEL PER ASTM A194 GRADE 2H OR ASTM A563 GRADE DH
- FINISH: HOT DIP GALVANIZED PER ASTM A123
- HARDWARE INCLUDED: 1 INCH DIAMETER BOLTS, 4 INCHES LONG (GRADE 5), LOCKWASHERS, RETAINING WASHERS, AND HEX NUTS
- SEE SA1122610 FOR COMPATIBLE PRECAST CONCRETE COLLARS
- BASEPLATE MARKINGS INDICATE CABLEWAY OPENING IN SHAFT



Ø12.0 HELIX  
PITCH: 3.0  
THICKNESS: 0.375  
WITH SHARPENED LEADING EDGE



|  |  |                             |              |
|--|--|-----------------------------|--------------|
| <b>CHANCE</b> <sup>®</sup><br><small>CONFIDENTIAL: THIS DRAWING AND ITS CONTENTS ARE CONFIDENTIAL AND THE EXCLUSIVE PROPERTY OF HUBBELL POWER SYSTEMS. NO PUBLICATION, DISTRIBUTION, OR COPIES MAY BE MADE WITHOUT THE WRITTEN CONSENT OF HUBBELL POWER SYSTEMS. HUBBELL POWER SYSTEMS UNPUBLISHED ALL RIGHTS RESERVED UNDER THE COPYRIGHT LAWS.</small> |  <b>HUBBELL POWER SYSTEMS, INC.</b> |                             |              |
|  | <b>FOUNDATION, FOR PRECAST 12 SQ BASEPLATE</b>   |                             |              |
| <b>SIZE B</b><br><small>DO NOT SCALE THIS DRAWING</small>  | <b>CAT / PART / ASSY NO. SEE TABLE</b>   | <b>DWG NO. SA1122621</b>    | <b>REV D</b> |
| <small>DRN BY OJS</small>  | <small>DATE 6/4/2020</small>   | <small>SHEET 1 OF 1</small> |              |