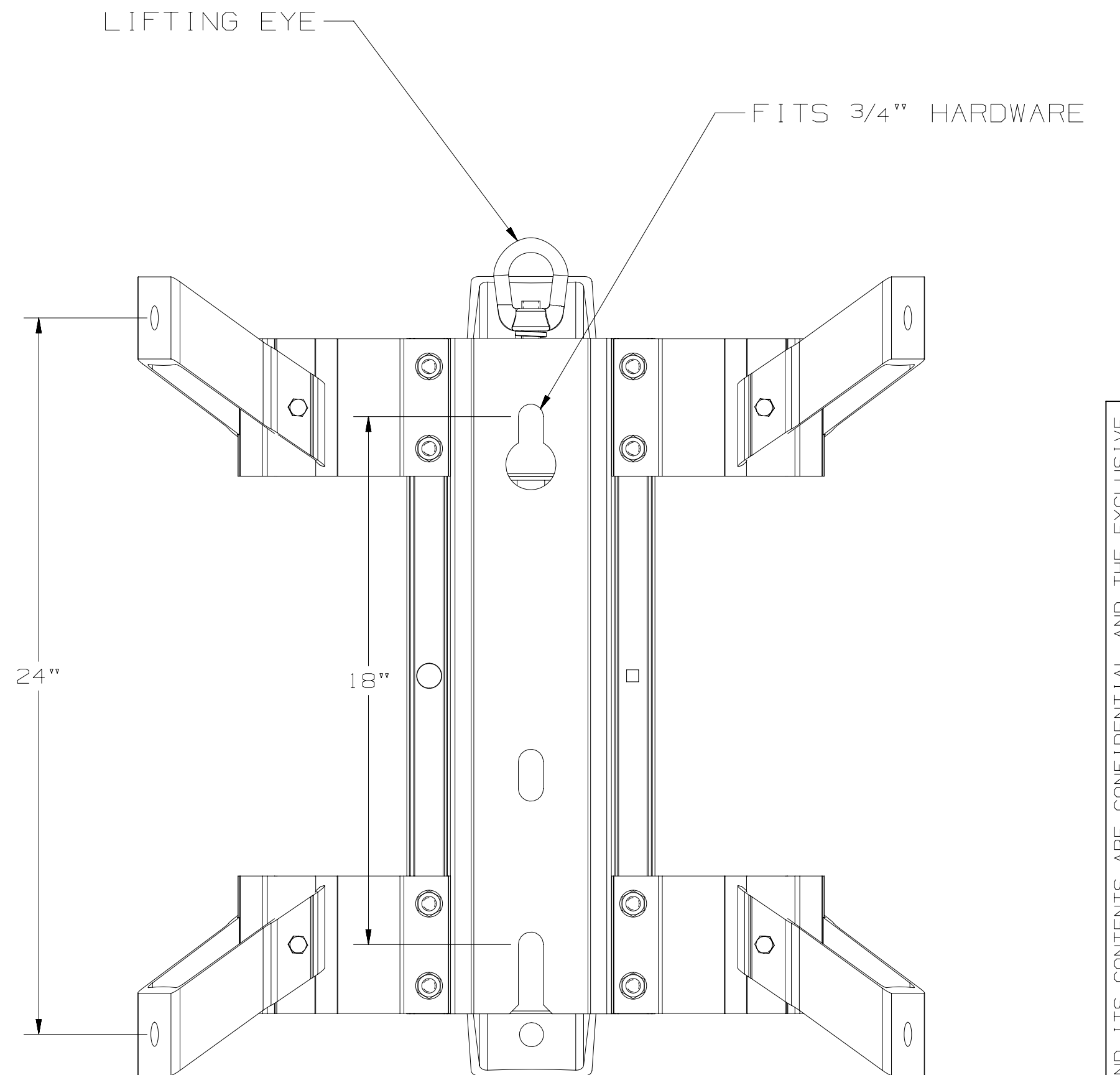
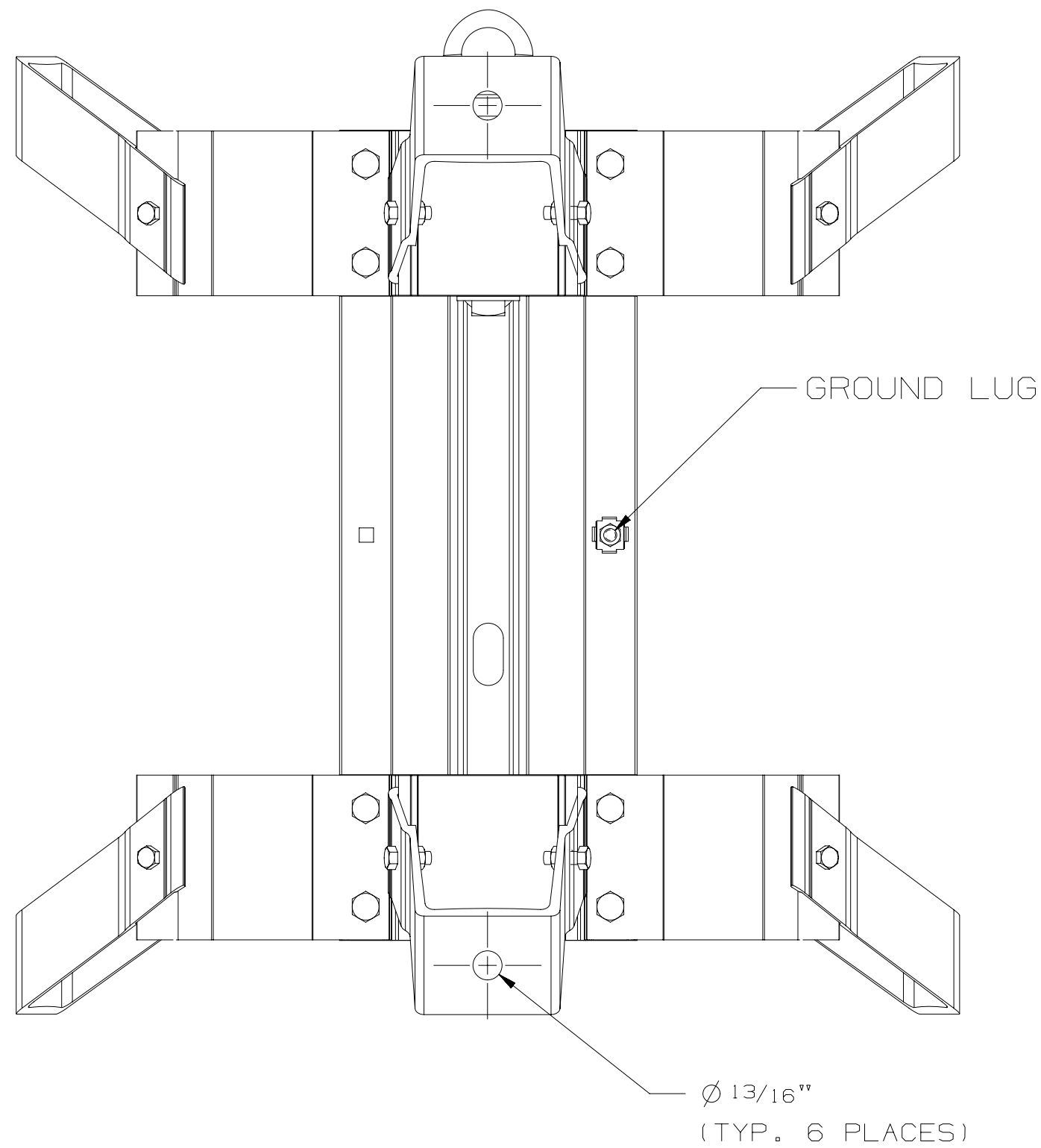
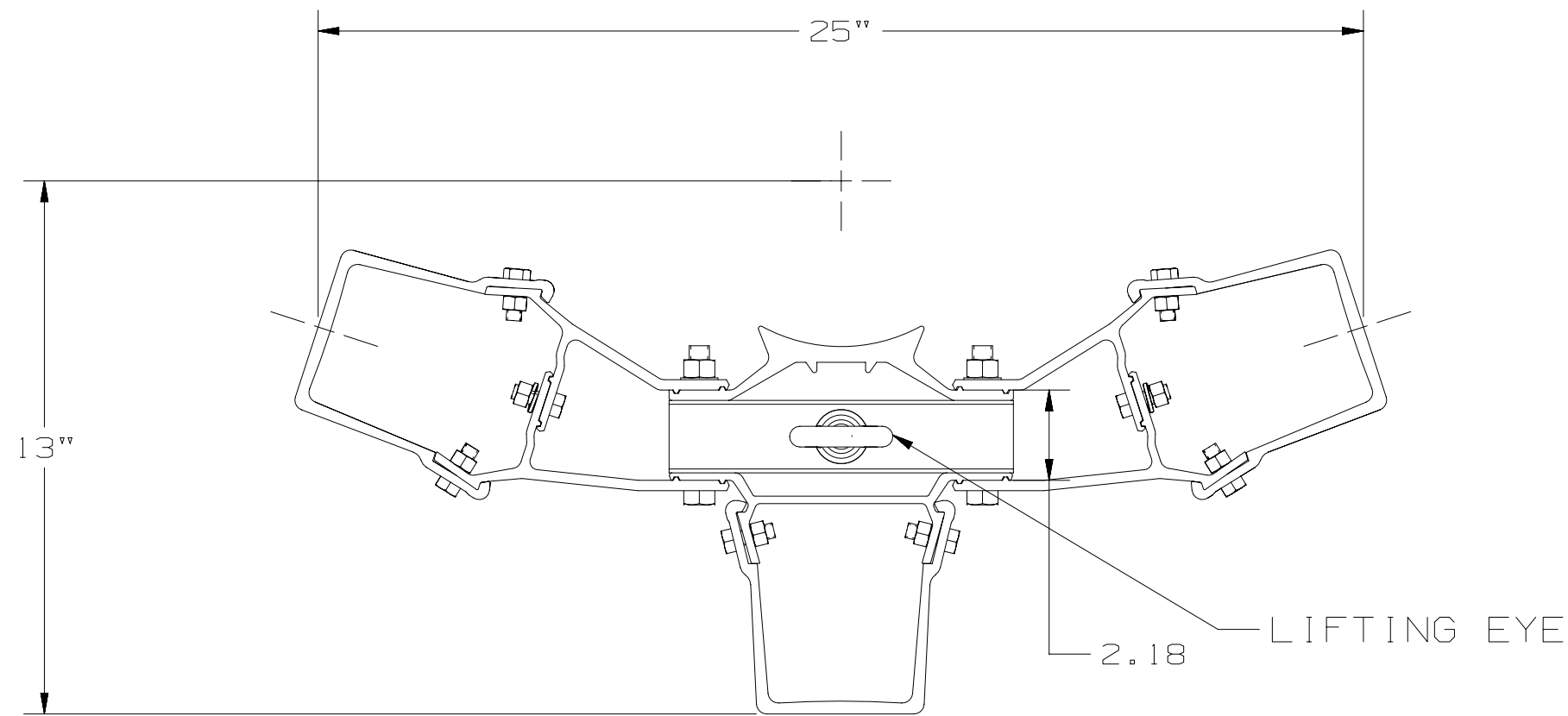


NOTES:

- 1.) ASSEMBLED COMPLETE AS SHOWN.
- 2.) MATERIAL: ALUMINUM (RACK BODY), GALVANIZED STEEL (HARDWARE).
- 3.) ASSEMBLIES C11MW24L, C11MW24LP, AND C11MW24 SUPPLIED WITH 5/8 HIGH STRENGTH BOLTS (6) FOR USE WITH ALL TRANSFORMER LUGS. ASSEMBLY C11MW24LB SUPPLIED WITH 3/4" X 2 1/4" SQUARE HEAD MACHINE BOLTS AND HARDWARE.
- 4.) C11MW24LP IS PACKAGED ON PALLETS INSTEAD OF INDIVIDUAL BOXES.



CATALOG NUMBER: C11MW24L (WITH LIFTING EYE)
 C11MW24LP (WITH LIFTING EYE; 20 PER PALLET)
 C11MW24 (WITHOUT LIFTING EYE)
 C11MW24LB (WITH LIFTING EYE)

LATEST EC NO:		REV.	DATE	CHANGED BY	RESP ENGINEER
-----		-	-----	-----	-----
				DO NOT SCALE THIS DWG	THIRD ANGLE PROJECTION ISO DUAL DIMENSIONS IN=INCH, MM=MILLIMETER
DRN BY:	DATE	TITLE:			SIZE
JUL	07-10-12	TRANSFORMER RACK, WING			C
				DWG NO: SA11MW-24-L	

CONFIDENTIAL: THIS DRAWING AND ITS CONTENTS ARE CONFIDENTIAL AND THE EXCLUSIVE PROPERTY OF HUBBELL POWER SYSTEMS, INC. NO PUBLICATION, DISTRIBUTION OR COPIES MAY BE MADE WITHOUT WRITTEN CONSENT BY HUBBELL POWER SYSTEMS, INC.
 © 2012 HUBBELL POWER SYSTEMS. UNPUBLISHED. ALL RIGHTS RESERVED UNDER THE COPYRIGHT LAWS