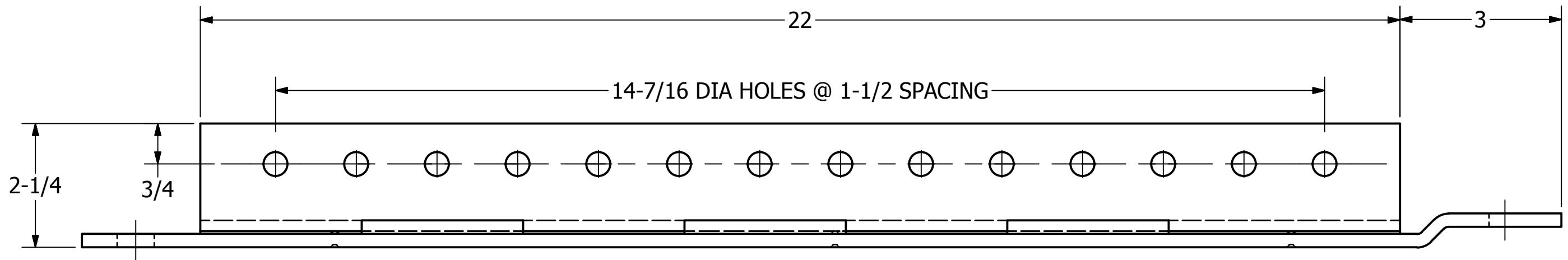
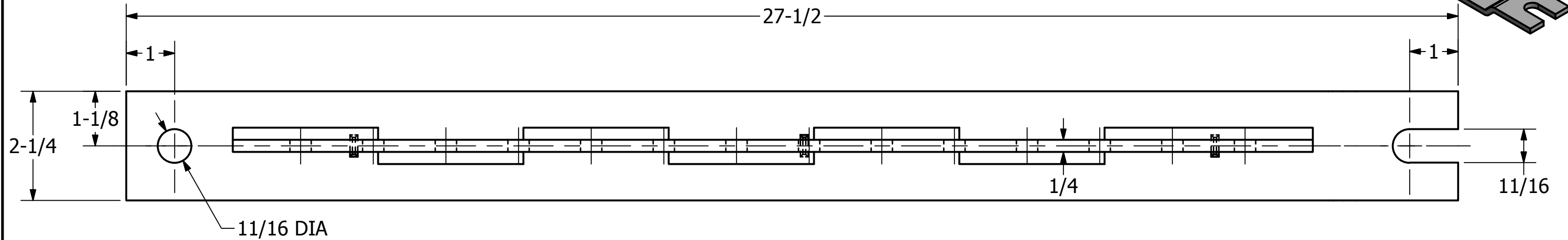
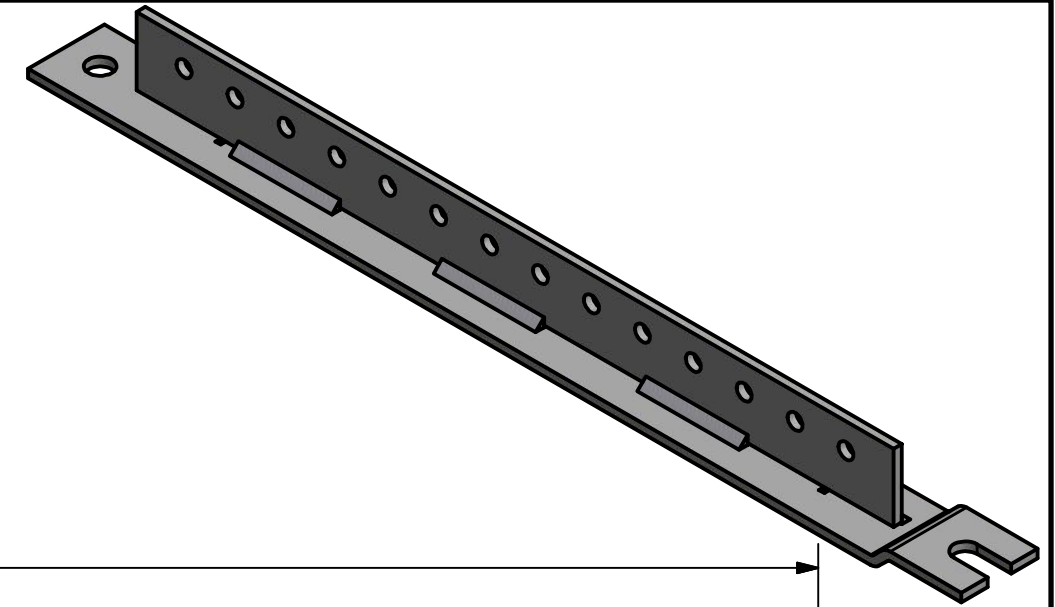


-NOTES-

1. MATERIAL: 1/4" STEEL, HOT DIP GALVANIZED.
PER ASTM A153 (LATEST REVISION)



CATALOG NUMBER: PSI225

CHANCE[®]



HUBBELL POWER SYSTEMS, INC.

CONFIDENTIAL: THIS DRAWING AND ITS CONTENTS ARE CONFIDENTIAL AND THE EXCLUSIVE PROPERTY OF HUBBELL POWER SYSTEMS. NO PUBLICATION, DISTRIBUTION, OR COPIES MAY BE MADE WITHOUT THE WRITTEN CONSENT OF HUBBELL POWER SYSTEMS. HUBBELL POWER SYSTEMS UNPUBLISHED ALL RIGHTS RESERVED UNDER THE COPYRIGHT LAWS.

TITLE		UNDERGROUND CABLE RACK	
SIZE	CAT / PART / ASSY NO.	DWG NO.	REV
B	PS1225	SA1225	C
DO NOT SCALE THIS DRAWING	DRN BY BAM	DATE 2/2/17	SHEET 1 OF 1