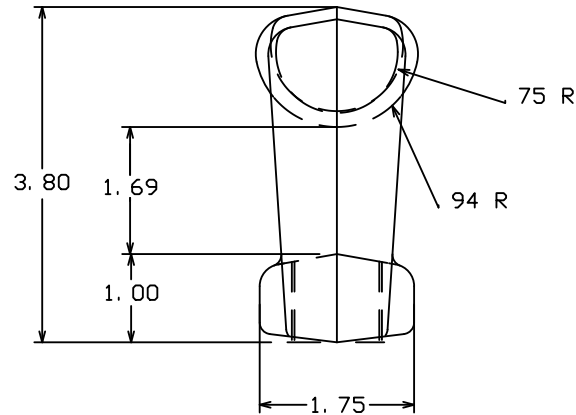



— THREAD SIZE "T" DRILLED AND TAPPED  
 .19 RAISED LETTER

=NOTES=

1. HOT DIP GALVANIZE PER ASTM 153-(LATEST REVISION)
2. FOR 12585H ONLY, IN ADDITION TO "C" AS SHOWN, STAMP "HS" IN 1/4" LETTERS ON SIDE OPPOSITE "C".
3. FOR 12585H ONLY, PAINT ENTIRE BASE WITH ORANGE PAINT.
4. ADD USA SUFFIX TO CATALOG NUMBER FOR BUY AMERICA ITEMS. PURCHASERS OF BUY AMERICA ITEMS WILL BE PROVIDED A DATED CERTIFICATE OF COMPLIANCE TO SPECIFIC BUY AMERICA PROVISIONS IF REQUESTED AT THE TIME OF ORDER. CONTACT HUBBELL POWER SYSTEMS CUSTOMER SERVICE FOR DETAILS.



CAT. NO.	RATING(LB)	"T"
12585	36,000	1.021-8UNS-2B
12585H	50,000	1.021-8UNS-2B

CHANCE TOLERANCE CHART		 <b>HUBBELL POWER SYSTEMS</b>	
CONFIDENTIAL: THIS DRAWING AND ITS CONTENTS ARE CONFIDENTIAL AND THE EXCLUSIVE PROPERTY OF HUBBELL POWER SYSTEMS. NO PUBLICATION, DISTRIBUTION OR COPIES MAY BE MADE WITHOUT THE WRITTEN CONSENT OF HUBBELL POWER SYSTEMS. HUBBELL POWER SYSTEMS UNPUBLISHED. ALL RIGHTS RESERVED UNDER THE COPYRIGHT LAWS.		<b>TITLE</b> NUT, TRIPLEYE	
SIZE D	DWG NO. SA12585	CAT / PART / ASSY NO. SEE CHART	REV B
DO NOT SCALE THIS DRAWING	DRN BY ADM	DATE 4/1/10	SHEET 1 OF 1