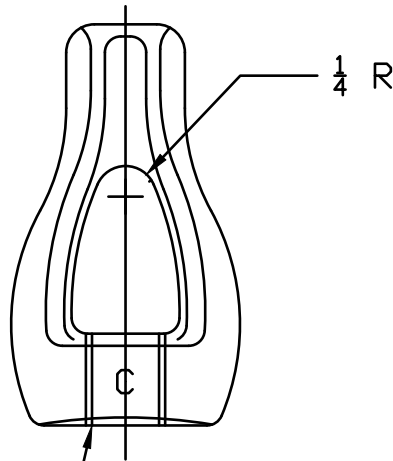
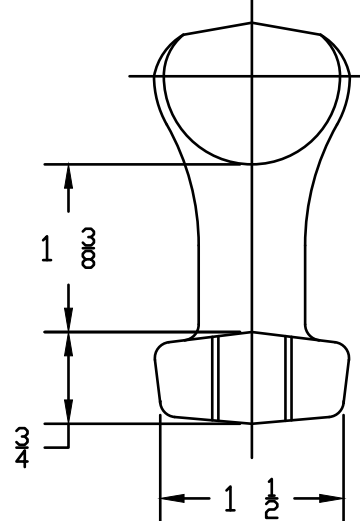


NOTES

1. MAT'L: STEEL, HOT DIP GALVANIZED PER ASTM A153 (LATEST REVISION)
2. ADD USA SUFFIX TO CATALOG NUMBER FOR BUY AMERICA ITEMS. PURCHASERS OF BUY AMERICA ITEMS WILL BE PROVIDED A DATED CERTIFICATE OF COMPLIANCE TO SPECIFIC BUY AMERICA PROVISIONS IF REQUESTED AT THE TIME OF ORDER. CONTACT HUBBELL POWER SYSTEMS CUSTOMER SERVICE FOR DETAILS.




TAPPED
.695-11NS-2B



CATALOG NUMBER
C12587

<p>CHANCE TOLERANCE CHART</p> <p>.X ± .060 FRAC ±1/16 ANGLES ±2° .XX ± .030 ADD DRAFT (UNLESS NOTED) .XXX ± .005 CASTING 3° FORGINGS 7°</p> <p>CONFIDENTIAL: THIS DRAWING AND ITS CONTENTS ARE CONFIDENTIAL AND THE EXCLUSIVE PROPERTY OF HUBBELL POWER SYSTEMS. NO PUBLICATION, DISTRIBUTION OR COPIES MAY BE MADE WITHOUT THE WRITTEN CONSENT OF HUBBELL POWER SYSTEMS. HUBBELL POWER SYSTEMS UNPUBLISHED ALL RIGHTS RESERVED UNDER THE COPYRIGHT LAWS.</p>	
--	--

 <p>HUBBELL® POWER SYSTEMS</p>			
<p>TITLE THIMBLEYE NUT</p>			
<p>SIZE A</p>	<p>DWG NO. SA12587</p>	<p>CAT / PART / ASSY NO. C12587</p>	<p>REV A</p>
<p>DO NOT SCALE THIS DRAWING</p>	<p>DRN BY MRG</p>	<p>DATE 11/19/18</p>	<p>SHEET 1 OF 1</p>