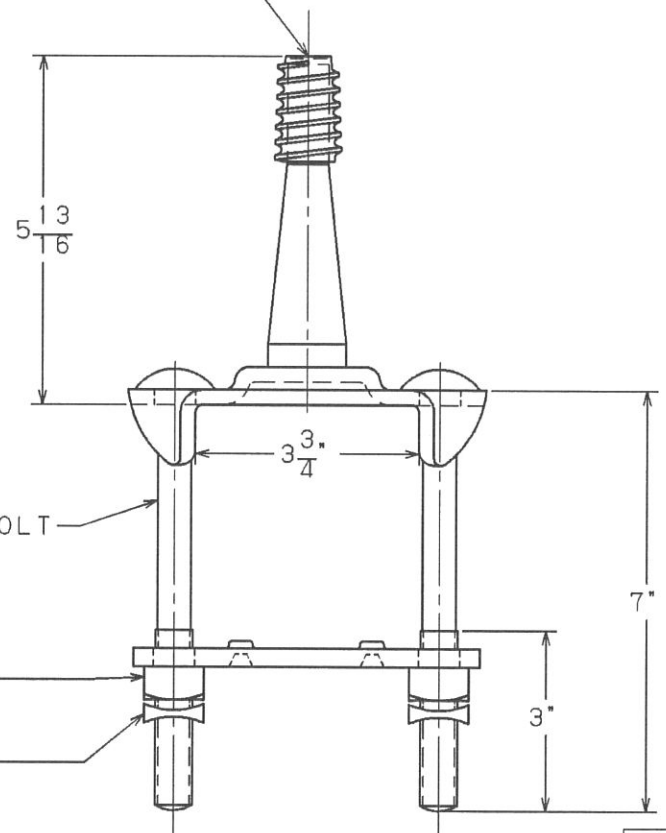


1" LEAD THREAD
PER ANSI C135.17



5/8" CARRIAGE BOLT
5/8" SQUARE NUT
5/8" LOCKNUT

=NOTES=

- MAT'L: STEEL, HOT DIP GALV. PER ASTM A153 (LATEST REVISION)

**CATALOG NUMBER
C14322**

LATEST EC NO:		REV.	DATE	CHANGED BY	RESP ENGINEER
92092802		-	-----	---	ODOM
				DO NOT SCALE THIS DWG	THIRD ANGLE PROJECTION
				ISO DUAL DIMENSIONS IN=INCH, MM=MILLIMETER	
DRN BY:	DATE	TITLE:			SIZE
PARRISH	10-14-92	STRAIGHT CORNER PIN			B
					DWG NO: SA14322

CONFIDENTIAL: THIS DRAWING AND ITS CONTENTS ARE CONFIDENTIAL AND THE EXCLUSIVE PROPERTY OF HUBBELL / A. B. CHANCE COMPANY. NO PUBLICATION, DISTRIBUTION OR COPIES MAY BE MADE WITHOUT WRITTEN CONSENT BY HUBBELL / A. B. CHANCE COMPANY. © 2000 HUBBELL/A. B. CHANCE. UNPUBLISHED - ALL RIGHTS RESERVED UNDER THE COPYRIGHT LAWS