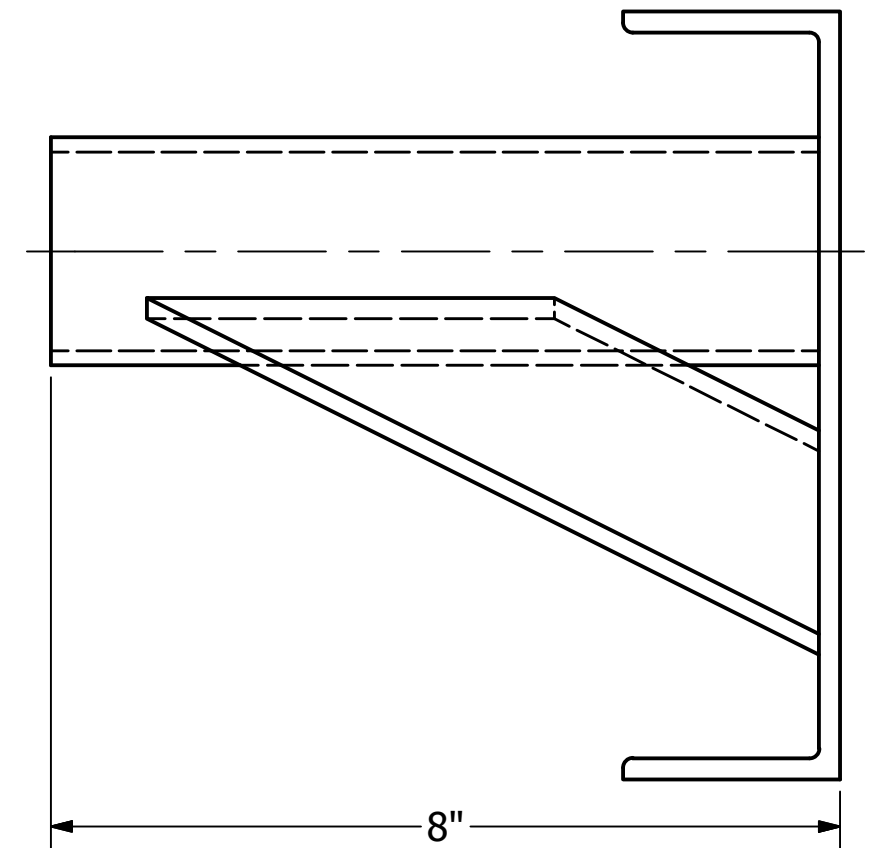
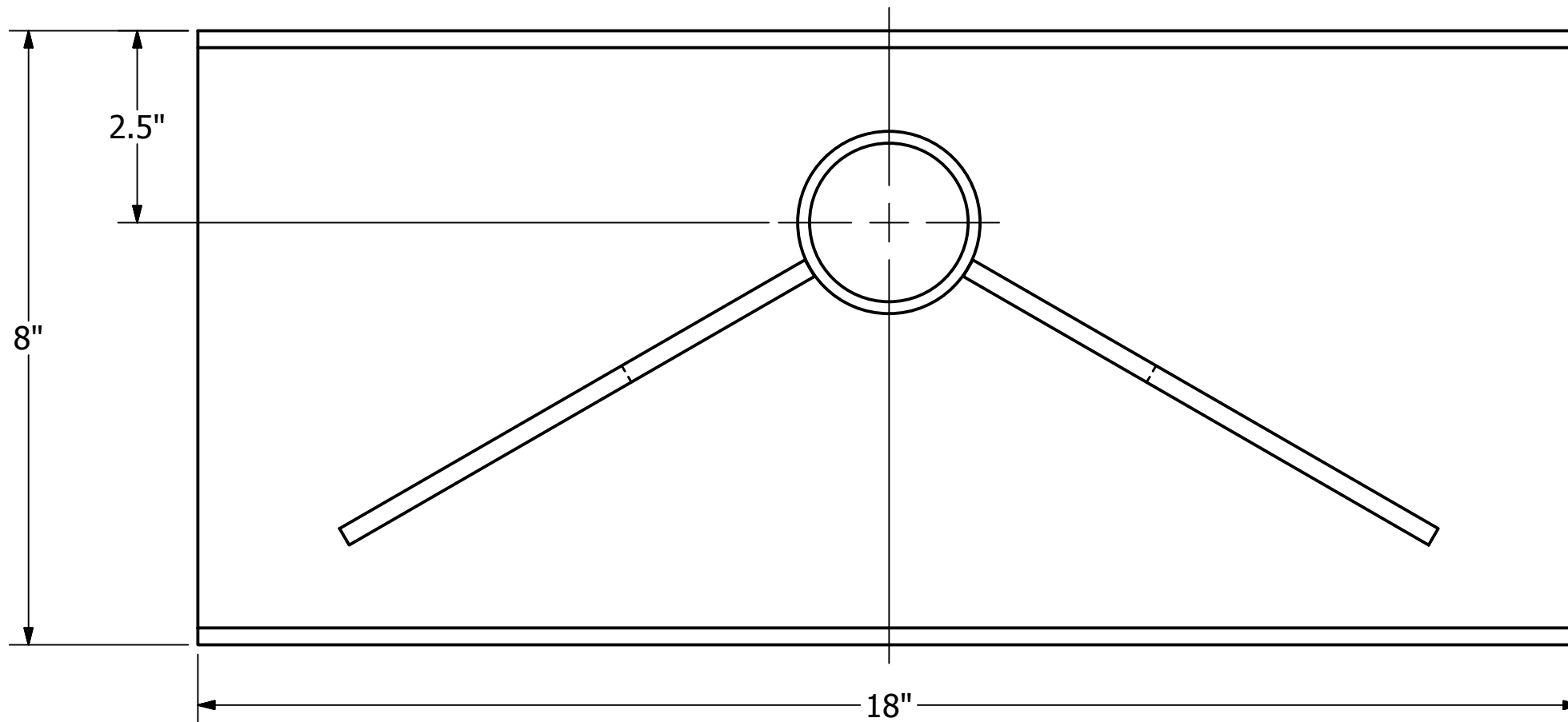
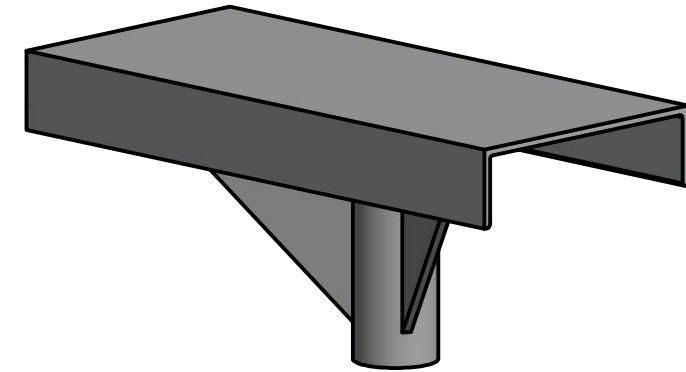


-NOTES-

1. USER WILL SUPPLY CONCRETE BLOCKS AND METAL SHIMS.
2. LOAD RATING OF THE GROUT AND HAUNCH BRACKET.
WORKING LOAD: 10,000 LBS.
ULTIMATE LOAD: 20,000 LBS.
3. ALL WELDING DONE BY WELDERS CERTIFIED UNDER SECTION 5 OF THE AVS CODE D1.1.
4. MATERIAL SPECS:
C-CHANNEL: 11.5 8/FT. PER ASTM A36.
PIPE: 2" SCH 40 PER ASTM A53. TYPE E OR S. GRADE B.
GUSSETS: 1/4" THICK PER ASTM A36.



CATALOG NUMBER
C1500284
GALVANIZED

CATALOG NUMBER
C1500278
BLACK

CHANCE®



HUBBELL POWER SYSTEMS, INC.

CONFIDENTIAL: THIS DRAWING AND ITS CONTENTS ARE CONFIDENTIAL AND THE EXCLUSIVE PROPERTY OF HUBBELL POWER SYSTEMS. NO PUBLICATION, DISTRIBUTION, OR COPIES MAY BE MADE WITHOUT THE WRITTEN CONSENT OF HUBBELL POWER SYSTEMS. HUBBELL POWER SYSTEMS UNPUBLISHED ALL RIGHTS RESERVED UNDER THE COPYRIGHT LAWS.

TITLE GROUT & HAUNCH BRACKET			
SIZE B	CAT / PART / ASSY NO. C1500278	DWG NO. SA1500278	REV A
DO NOT SCALE THIS DRAWING	DRN BY JMT	DATE 7/16/19	SHEET 1 OF 1