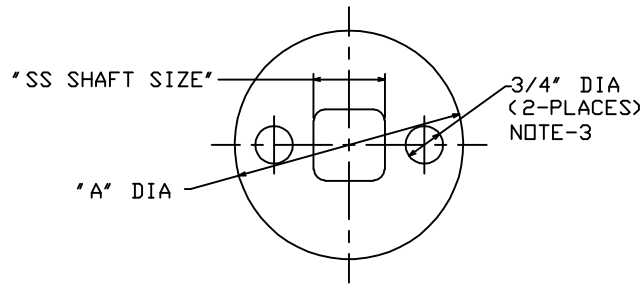
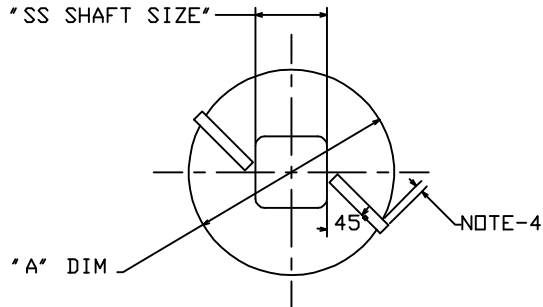


DISPLACEMENT PLATES FOR UN-CASED GROUT COLUMNS



EXTENSION DISPLACEMENT PLATE (EDP)



LEAD DISPLACEMENT PLATE (LDP)

==NOTES==

1. MAT'L: 1/4" THICK STEEL.
2. 3/4" DIA. HOLES LOCATED ON CENTER LINE ±1/8".
3. PADDLES OVERHANG OUTSIDE PERIMETER OF PLATE.

EXTENSION DISPLACEMENT PLATE		
CAT. NO.	DIM. "A"	SS SHAFT SIZE
T150-0330	5"	1-1/2"
T150-0331	7"	1-1/2"
C150-0382	3-29/32"	1-1/2"
C150-0384	5"	1-3/4"
C150-0386	5-29/32"	1-3/4"
C150-0388	7"	1-3/4"
C150-0390	7-29/32"	1-3/4"
C150-0392	5-29/32"	2"
C150-0394	7-29/32"	2"
C150-0396	10"	2"
C150-0406	10"	1-3/4"
T150-0450	8"	2-1/4"
T150-0451	10"	2-1/4"

LEAD DISPLACEMENT PLATE		
CAT. NO.	"A" DIM	SS SHAFT SIZE
T150-0334	5"	1-1/2"
T150-0335	7"	1-1/2"
C150-0383	5"	1-3/4"
C150-0387	7"	1-3/4"
C150-0389	8-1/2"	1-3/4"
C150-0391	7"	2"
C150-0393	8-1/2"	2"
C150-0395	10"	2"
C150-0405	10"	1-3/4"
T150-0448	8.5"	2-1/4"
T150-0449	10"	2-1/4"

HELICAL PULLDOWN[®] MICROPILES

<p>CHANCE[®]</p> <p style="font-size: small;">CONFIDENTIAL: THIS DRAWING AND ITS CONTENTS ARE CONFIDENTIAL AND THE EXCLUSIVE PROPERTY OF HUBBELL POWER SYSTEMS. NO PUBLICATION, DISTRIBUTION OR COPIES MAY BE MADE WITHOUT THE WRITTEN CONSENT OF HUBBELL POWER SYSTEMS. HUBBELL POWER SYSTEMS UNPUBLISHED. ALL RIGHTS RESERVED UNDER THE COPYRIGHT LAWS.</p>		<p>HUBBELL[®] POWER SYSTEMS</p> <p>DISPLACEMENT PLATES</p>		
TITLE	SIZE	DWG. NO.	CAT / PART / ASSY NO.	REV
	SB	SA150-0330	SEE CHART	C
DO NOT SCALE THIS DRAWING	DRN BY KSH	DATE 8/10/04	SHEET 1/1	