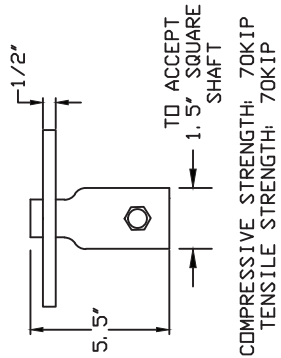
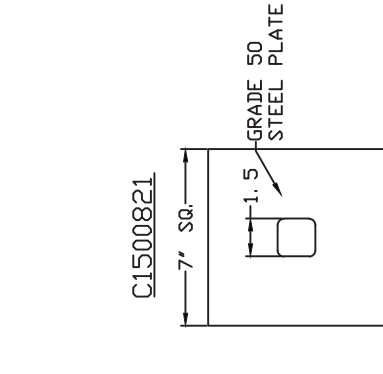
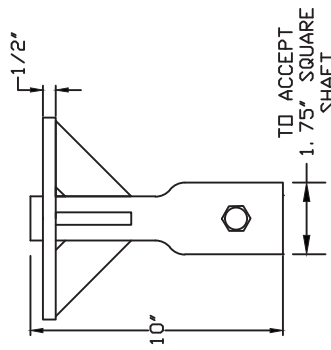
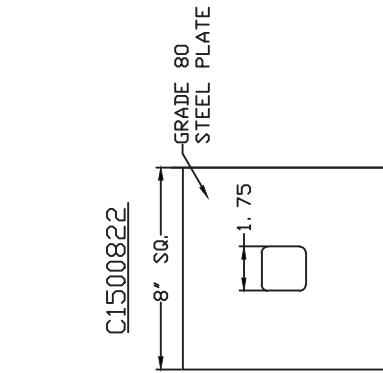


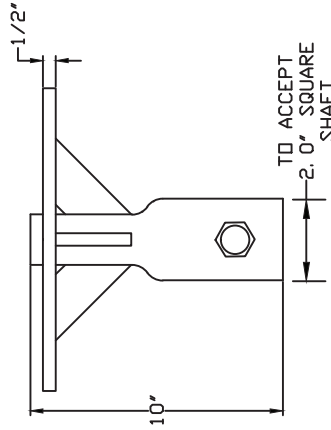
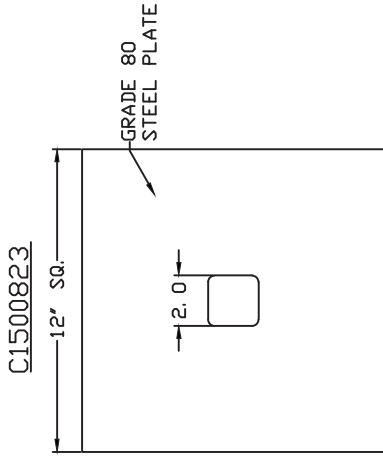
COMPRESSION/TENSION NEW CONSTRUCTION PILE CAPS



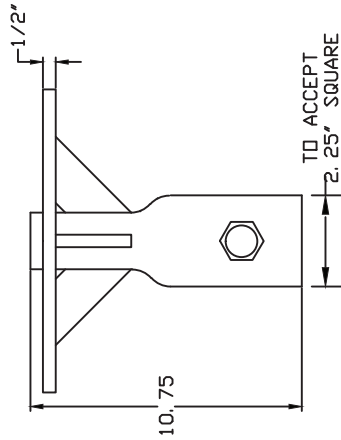
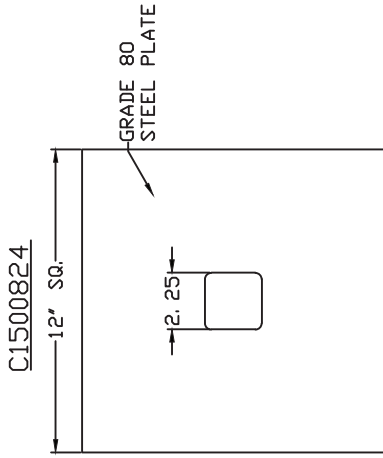
COMPRESSION STRENGTH: 70KIP
TENSION STRENGTH: 70KIP



COMPRESSION STRENGTH: 110KIP
TENSION STRENGTH: 100KIP



COMPRESSION STRENGTH: 150KIP
TENSION STRENGTH: 150KIP



COMPRESSION STRENGTH: 200KIP
TENSION STRENGTH: 200KIP

=NOTES=

1. FINISH: STANDARD CATALOG NUMBER IS MILL FINISH STEEL. TO ORDER GALVANIZED FINISH ADD "G" TO STANDARD CATALOG NUMBER.
2. MATERIAL SPECIFICATIONS:
 PLATE: HOT ROLLED STEEL PLATE PER ASTM A572 GRD. 50.
 OR HOT ROLLED STEEL PLATE PER ASTM A656 GRD. 80.
 SOCKET: ROUND CORNER SQUARE STEEL BAR PER TT-76
 BOLT: 3/4" HEX HEAD BOLTS PER ASTM A325 TYPE 1.
 7/8", 1-1/8", AND 1-1/4" HEX HEAD BOLTS PER ASTM A193.

| | | | | | | | | | | | |
|--|---|--------------------------------|--|--|--|-------------------------------|--------------------------------------|---------------------------|-------------------------|--------------|--|
| CHANCE TOLERANCE CHART | <table border="1" style="width: 100%; border-collapse: collapse;"> <tr> <td colspan="2" style="text-align: center;"> HUBBELL POWER SYSTEMS TITLE </td> </tr> <tr> <td colspan="2" style="text-align: center;"> COMPRESSION/TENSION NEW CONSTRUCTION PILE CAP </td> </tr> <tr> <td style="width: 50%;"> SIZE DWG NO. SB/SA:1500821 </td> <td style="width: 50%;"> CAT / PART / ASSY NO. SEE DRAWING </td> </tr> <tr> <td style="width: 50%;"> DO NOT SCALE THIS DRAWING </td> <td style="width: 50%;"> DRN BY TLW DATE 8/12/11 </td> </tr> <tr> <td colspan="2" style="text-align: right;"> SHEET 1 OF 1 </td> </tr> </table> | HUBBELL POWER SYSTEMS TITLE | | COMPRESSION/TENSION NEW CONSTRUCTION PILE CAP | | SIZE DWG NO. SB/SA:1500821 | CAT / PART / ASSY NO. SEE DRAWING | DO NOT SCALE THIS DRAWING | DRN BY TLW DATE 8/12/11 | SHEET 1 OF 1 | |
| HUBBELL POWER SYSTEMS TITLE | | | | | | | | | | | |
| COMPRESSION/TENSION NEW CONSTRUCTION PILE CAP | | | | | | | | | | | |
| SIZE DWG NO. SB/SA:1500821 | CAT / PART / ASSY NO. SEE DRAWING | | | | | | | | | | |
| DO NOT SCALE THIS DRAWING | DRN BY TLW DATE 8/12/11 | | | | | | | | | | |
| SHEET 1 OF 1 | | | | | | | | | | | |