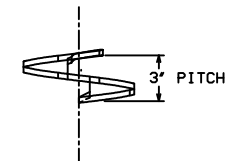
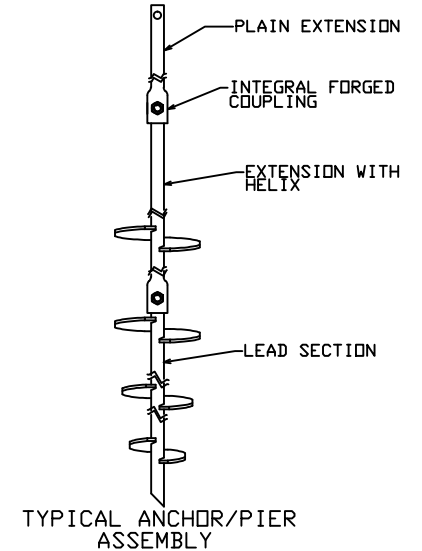
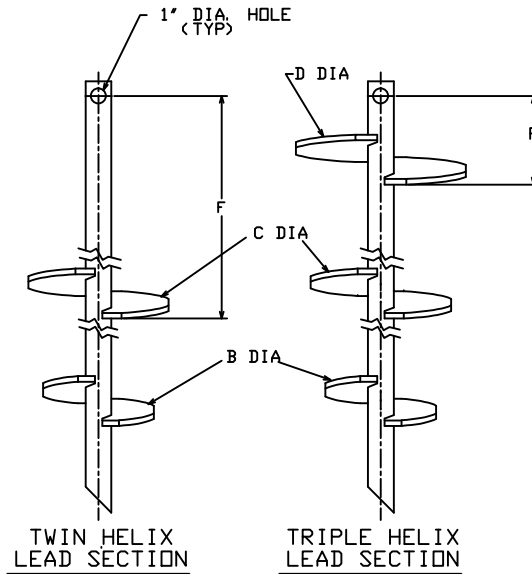
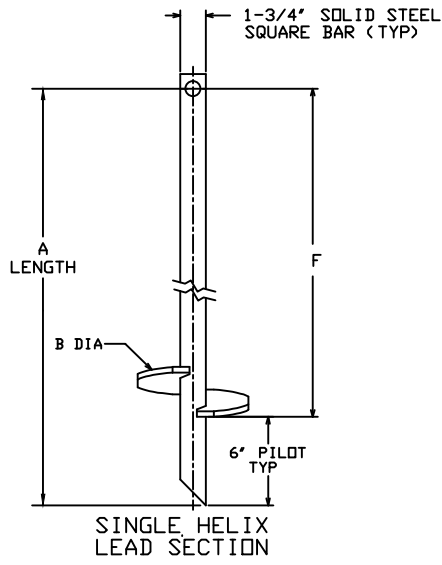


SS175 HELICAL PILES AND ANCHORS

TORQUE STRENGTH* RATING-10,500 FT-LB
 ULTIMATE CAPACITY (COMPRESSION)-105 KIP
 * BASED ON A TORQUE FACTOR (Kt)-10
 PER ICC-ES AC358 SECTION 3.13.2
 NOMINAL TENSION STRENGTH (COUPLING BOLT)-100 KIP



HELIX MUST BE FORMED BY MATCHING METAL DIE
 (SIDE VIEW OF TRUE HELICAL FORM)

==NOTES==

1. HOT DIP GALVANIZED PER ASTM A153-(LATEST REVISION).
2. LEAD AND EXTENSION SECTION LENGTHS AND HELIX SPACINGS ARE NOMINAL.
3. NOMINAL SPACING BETWEEN HELIX PLATES IS THREE TIMES THE DIAMETER OF THE LOWER HELIX.
4. SHAFT MATERIAL-HOT ROLLED ROUND-CORNERED-SQUARE (RCS) SOLID STEEL BARS PER ASTM A29; MINIMUM YIELD STRENGTH=90 KSI.
5. HELIX MATERIAL-HOT ROLLED LOW ALLOY STEEL SHEET, STRIP, OR PLATE PER ASTM A656, OR A1018 GRADE 80; MINIMUM YIELD STRENGTH=80 KSI. FOR 8" HELICES, 1/2" THICK. FOR ALL OTHER HELICES, 3/8" THICK.
6. COUPLING BOLTS: 7/8" DIAMETER X 3-1/2" LONG HEX HEAD PER ASTM A193 GRADE B7.
7. MANUFACTURER TO HAVE IN EFFECT INDUSTRY RECOGNIZED WRITTEN QUALITY CONTROL FOR ALL MATERIALS AND MANUFACTURING PROCESSES.
8. ALL WELDING TO BE DONE BY WELDERS CERTIFIED UNDER SECTION 5 OF THE AWS CODE D1.1.
9. SEE ICC EVALUATION SERVICE INC., EVALUATION REPORT NO. ESR-2794 FOR NOMINAL, DESIGN, AND ALLOWABLE STRENGTH VALUES AND/OR CONDITIONS OF USE CONCERNING INFORMATION PRESENTED ON THIS DRAWING.
10. REFER TO DRAWING SA150-0183 FOR PLAIN EXTENSIONS AND TERMINATIONS.

LEAD SECTION						ICC-ES LISTED ESR-2794
CAT. NO.	A	B	C	D	F	
C150-0010	64.5'	8'			58.5'	X
C150-0011	64.5'	10'			58.5'	X
C150-0012	64.5'	8'	10'		34.5'	X
C150-0093	64.5'	10'	12'		28.5'	X
C150-0179	36.75'	8'	10'		6.75'	X
C150-0180	64.5'	8'	10'	12'	4.5'	X
C150-0401	83'	8'	10'	12'	23'	X
C150-0402	129'	10'	12'	14'	57'	X
C150-0181	129'	14'	14'	14'	39'	X
C150-0493	83'	8'	10'		53'	X

ICC-ES
LISTED
ESR-2794

CHANCE	HUBBELL POWER SYSTEMS POWER SYSTEMS, INC.
TITLE SS175 LEAD SECTIONS AND HELICAL EXTENSIONS	
CONFIDENTIAL: THIS DRAWING AND ITS CONTENTS ARE CONFIDENTIAL AND THE EXCLUSIVE PROPERTY OF HUBBELL POWER SYSTEMS. NO PUBLICATION, DISTRIBUTION OR COPIES MAY BE MADE WITHOUT THE WRITTEN CONSENT OF HUBBELL POWER SYSTEMS. HUBBELL POWER SYSTEMS UNPUBLISHED ALL RIGHTS RESERVED UNDER THE COPYRIGHT LAWS.	SIZE DWG NO. CAT / PART / ASSY NO. REV SC SA150-10012 SEE CHART M DO NOT SCALE THIS DRAWING DRN BY ADM DATE 5/28/10 SHEET 1/1