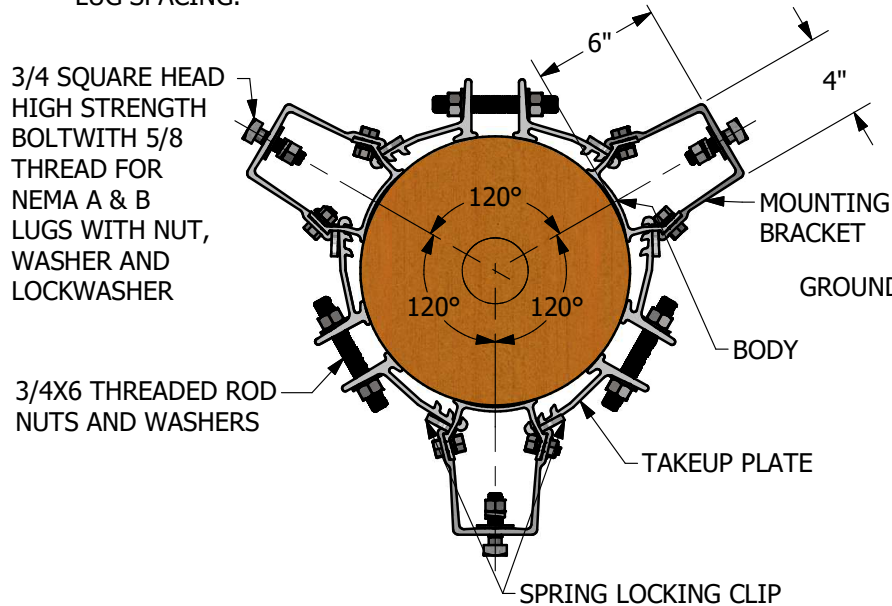
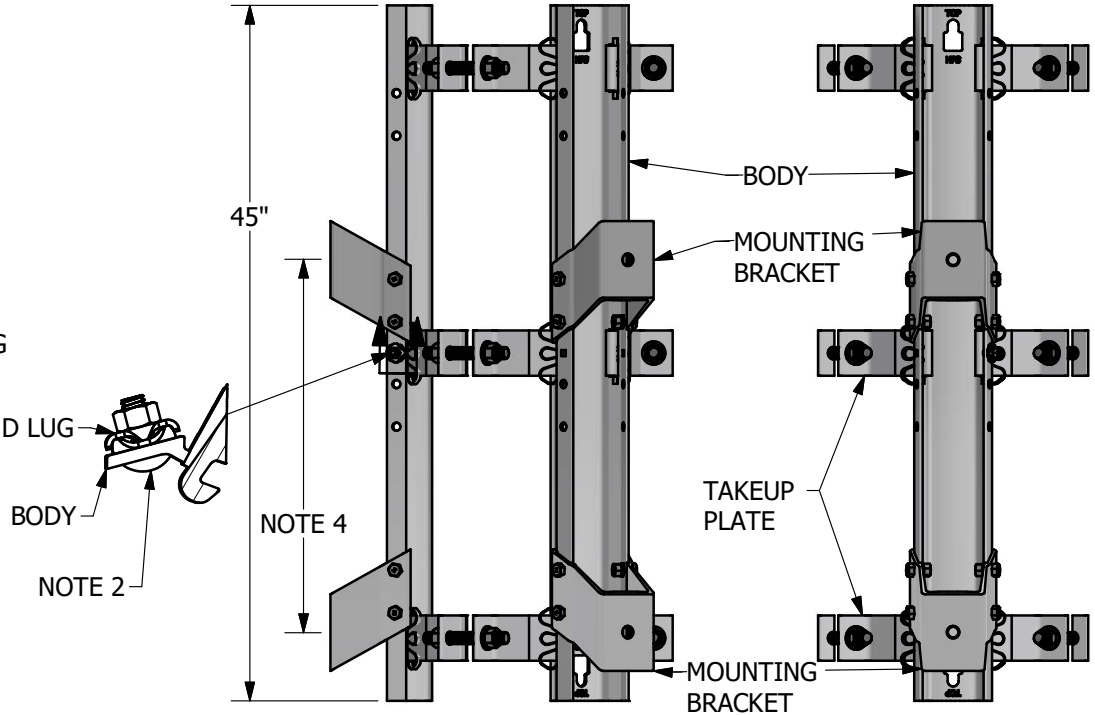


-NOTES-

1. ALL BRACKET MATERIAL IS ALUMINUM. BOLTS, NUTS, AND WASHERS ARE GALVANIZED STEEL.
2. ONE STAINLESS STEEL GROUNDING LUG IS ASSEMBLED TO CLUSTER MOUNT. IT CAN BE RELOCATED AS DESIRED FOR EASY ATTACHMENT OF GROUNDING WIRE.
3. EACH CLUSTER MOUNT INCLUDES DETAILED INSTALLATION INSTRUCTIONS AND POLE TAPE WHICH AIDS IN CONVENIENT ON THE GROUND ADJUSTMENT BEFORE HANGING ON POLE.
4. MOUNTING BRACKETS ADJUSTABLE TO FIT NEMA A, B, AND C LUG SPACING.



ASSEMBLED CLUSTER MOUNT



CLUSTER MOUNT AS SHIPPED

CATALOG NUMBER: C15M363D424

CHANCE ®		HUBBELL ® POWER SYSTEMS, INC.		HUBBELL POWER SYSTEMS, INC.	
TITLE					
MOUNT, JUMBO CLUSTER					
SIZE	CAT / PART / ASSY NO.	DWG NO.		REV	
B	C15M363D424	SA15M363D424		B	
DO NOT SCALE THIS DRAWING		DRN BY RN	DATE 5/3/2023	SHEET 1 OF 1	
<small>CONFIDENTIAL: THIS DRAWING AND ITS CONTENTS ARE CONFIDENTIAL AND THE EXCLUSIVE PROPERTY OF HUBBELL POWER SYSTEMS. NO PUBLICATION, DISTRIBUTION, OR COPIES MAY BE MADE WITHOUT THE WRITTEN CONSENT OF HUBBELL POWER SYSTEMS, INC. HUBBELL POWER SYSTEMS UNPUBLISHED ALL RIGHTS RESERVED UNDER THE COPYRIGHT LAWS.</small>					