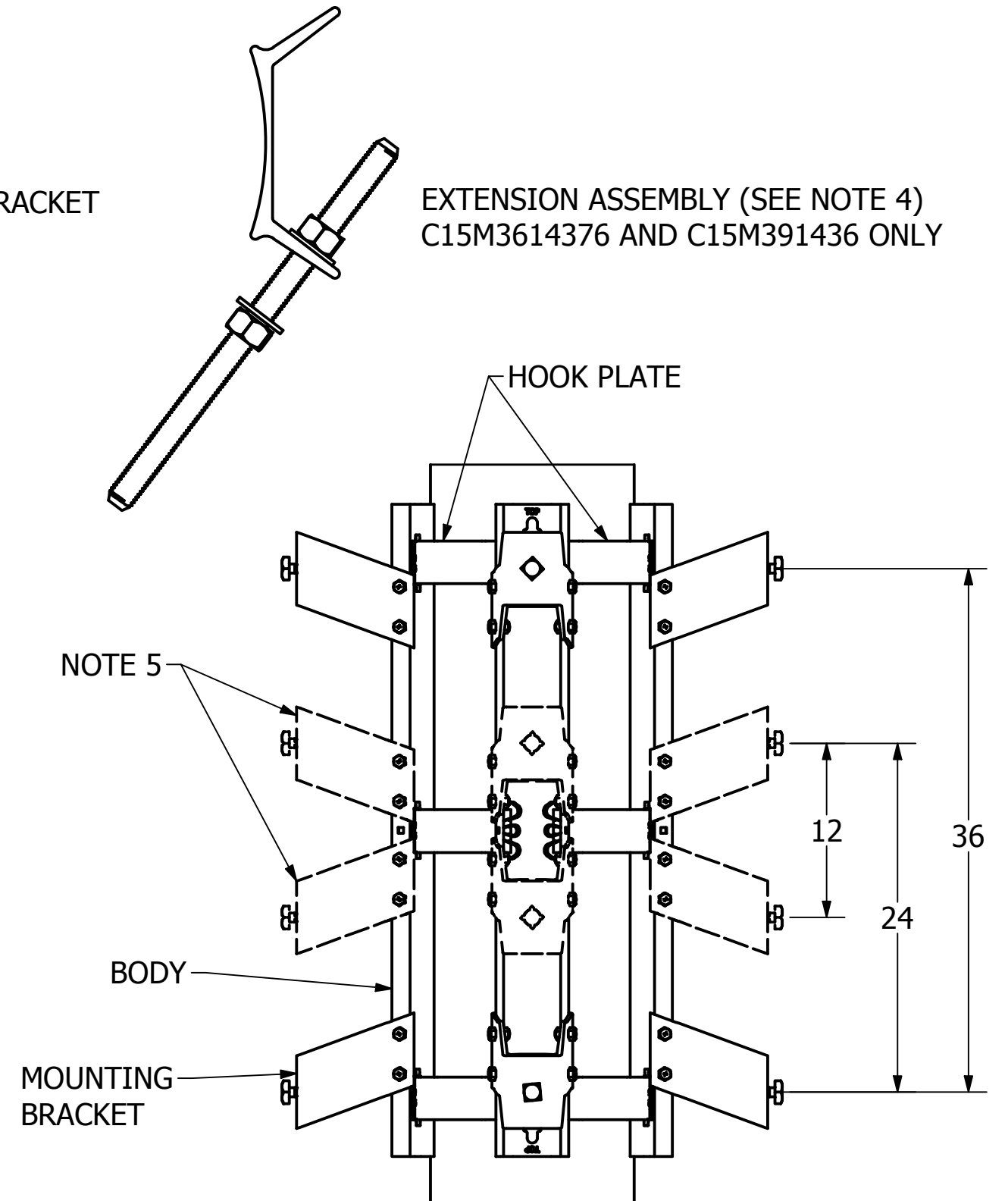


CATALOG NUMBER	"A"
C15M361436	6
C15M391436	9
C15M361436GP	6

ASSEMBLED CLUSTER MOUNT

==NOTES==

1. ALL BRACKET MATERIAL IS ALUMINUM. BOLTS, NUTS, AND WASHERS ARE GALVANIZED STEEL.
2. ONE STAINLESS STEEL GROUNDING LUG IS ASSEMBLED TO EACH CLUSTER MOUNT. IT CAN BE RELOCATED AS DESIRED FOR EASY ATTACHMENT OF GROUND WIRE.
3. EACH CLUSTER MOUNT INCLUDES DETAILED INSTALLATION INSTRUCTIONS AND POLE MEASUREMENT TAPE WHICH AIDS IN CONVENIENT ON THE GROUND ADJUSTMENT BEFORE HANGING ON POLE.
4. EXTENSION PLATE CEP18 CAN BE USED TO INCREASE DIAMETER RANGE BY APPROXIMATELY FIVE INCHES. THREE EXTENSION PLATES, CEP18, INCLUDED (CATALOG NUMBERS C15M361436, AND C15M391436).
5. BRACKETS ON CATALOG NUMBERS C15M361436 AND C15M391436 ARE FACTORY ASSEMBLED AT 36" SPACING, C15M361436GP IS FACTORY ASSEMBLED AT 24" SPACING. BRACKETS CAN BE RELOCATED IN THE FIELDS TO ACCOMODATE 12", 24" AND 36" SPACING.



EXTENSION ASSEMBLY (SEE NOTE 4)
C15M3614376 AND C15M391436 ONLY

CHANCE [®]	HUBBELL [®] POWER SYSTEMS, INC.	HUBBELL POWER SYSTEMS, INC.	
	MOUNT, JUMBO CLUSTER		
CONFIDENTIAL: THIS DRAWING AND ITS CONTENTS ARE CONFIDENTIAL AND THE EXCLUSIVE PROPERTY OF HUBBELL POWER SYSTEMS. NO PUBLICATION, DISTRIBUTION, OR COPIES MAY BE MADE WITHOUT THE WRITTEN CONSENT OF HUBBELL POWER SYSTEMS. HUBBELL POWER SYSTEMS UNPUBLISHED ALL RIGHTS RESERVED UNDER THE COPYRIGHT LAWS.	TITLE SEE TABLE	DWG NO. SA15M391436	REV B
DO NOT SCALE THIS DRAWING	DRN BY ADP	DATE 01/22/21	SHEET 1 OF 1