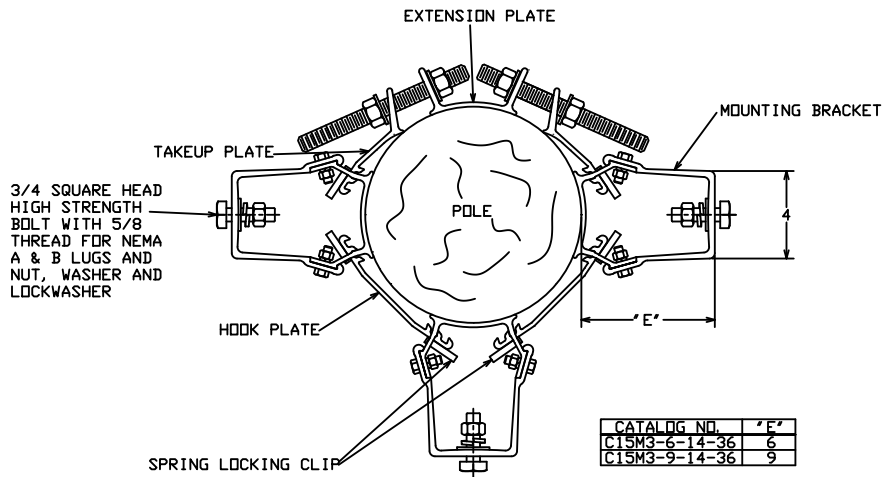
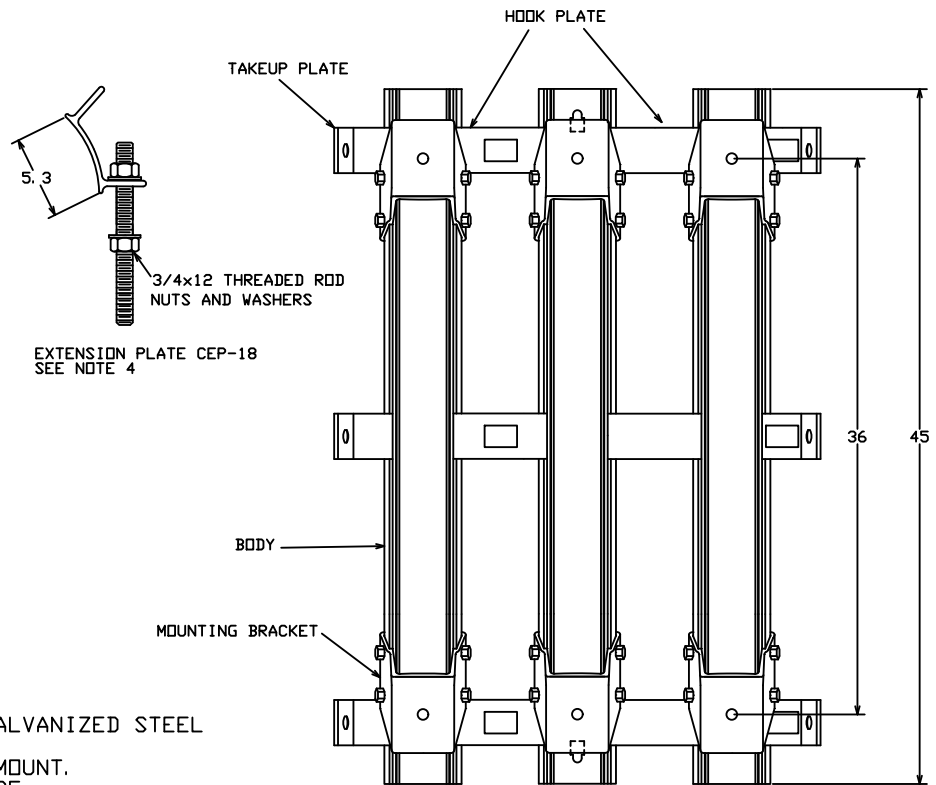


CATALOG NUMBER: C15M3-6-14-36 & C15M3-9-14-36



CATALOG NO.	"E"
C15M3-6-14-36	6
C15M3-9-14-36	9

ASSEMBLED CLUSTER MOUNT  
(WITH EXTENSION PLATE)



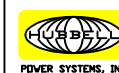
EXTENSION PLATE CEP-18  
SEE NOTE 4

CLUSTER MOUNT AS SHIPPED

==NOTES==

1. ALL BRACKET MATERIAL IS ALUMINUM. BOLTS, NUTS AND WASHERS ARE GALVANIZED STEEL
2. ONE STAINLESS STEEL GROUNDING LUG IS ASSEMBLED TO EACH CLUSTER MOUNT. IT CAN BE RELOCATED AS DESIRED FOR EASY ATTACHMENT OF GROUND WIRE.
3. EACH CLUSTER MOUNT INCLUDES DETAILED INSTALATION INSTRUCTIONS AND POLE MEASUREMENT TAPE WHICH AIDS IN CONVENIENT ON THE GROUND ADJUSTMENT BEFORE HANGING ON POLE.
4. EXTENSION PLATE CEP-18 CAN BE USED TO INCREASE DIAMETER RANGE BY APPROXIMATELY FIVE INCHES. THREE EXTENSION PLATES, CEP-18, INCLUDED.

CHANCE  
TOLERANCE CHART  
EC 08564



HUBBELL® POWER SYSTEMS

TITLE			
MOUNT, JUMBO CLUSTER			
SIZE	DWG NO.	CAT / PART / ASSY NO.	REV
SB	SA15M3-9-36	C15M3-9-36	A
DO NOT SCALE THIS DRAWING	DRN BY JOBE	DATE 10/31/03	SHEET 01 OF 01

CONFIDENTIAL: THIS DRAWING AND ITS CONTENTS ARE CONFIDENTIAL AND THE EXCLUSIVE PROPERTY OF HUBBELL POWER SYSTEMS. NO PUBLICATION, DISTRIBUTION OR COPIES MAY BE MADE WITHOUT THE WRITTEN CONSENT OF HUBBELL POWER SYSTEMS. HUBBELL POWER SYSTEMS UNPUBLISHED ALL RIGHTS RESERVED UNDER THE COPYRIGHT LAWS.