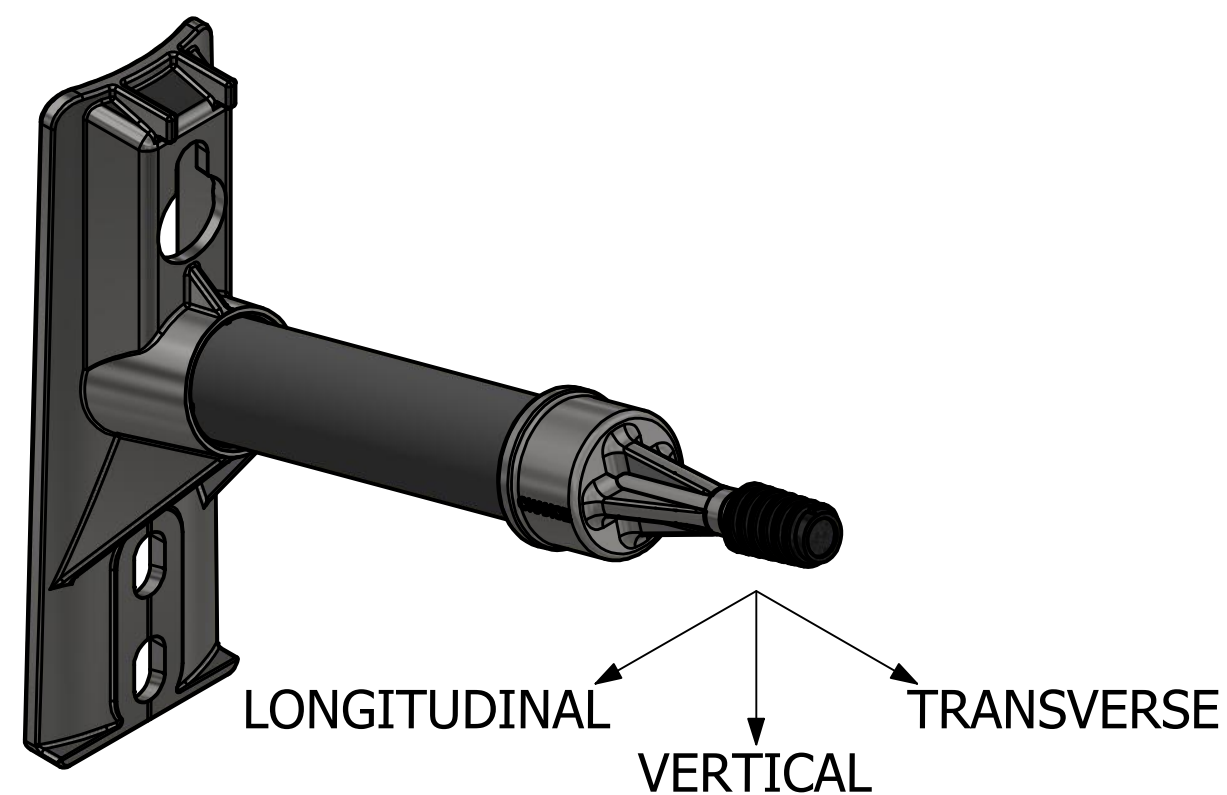
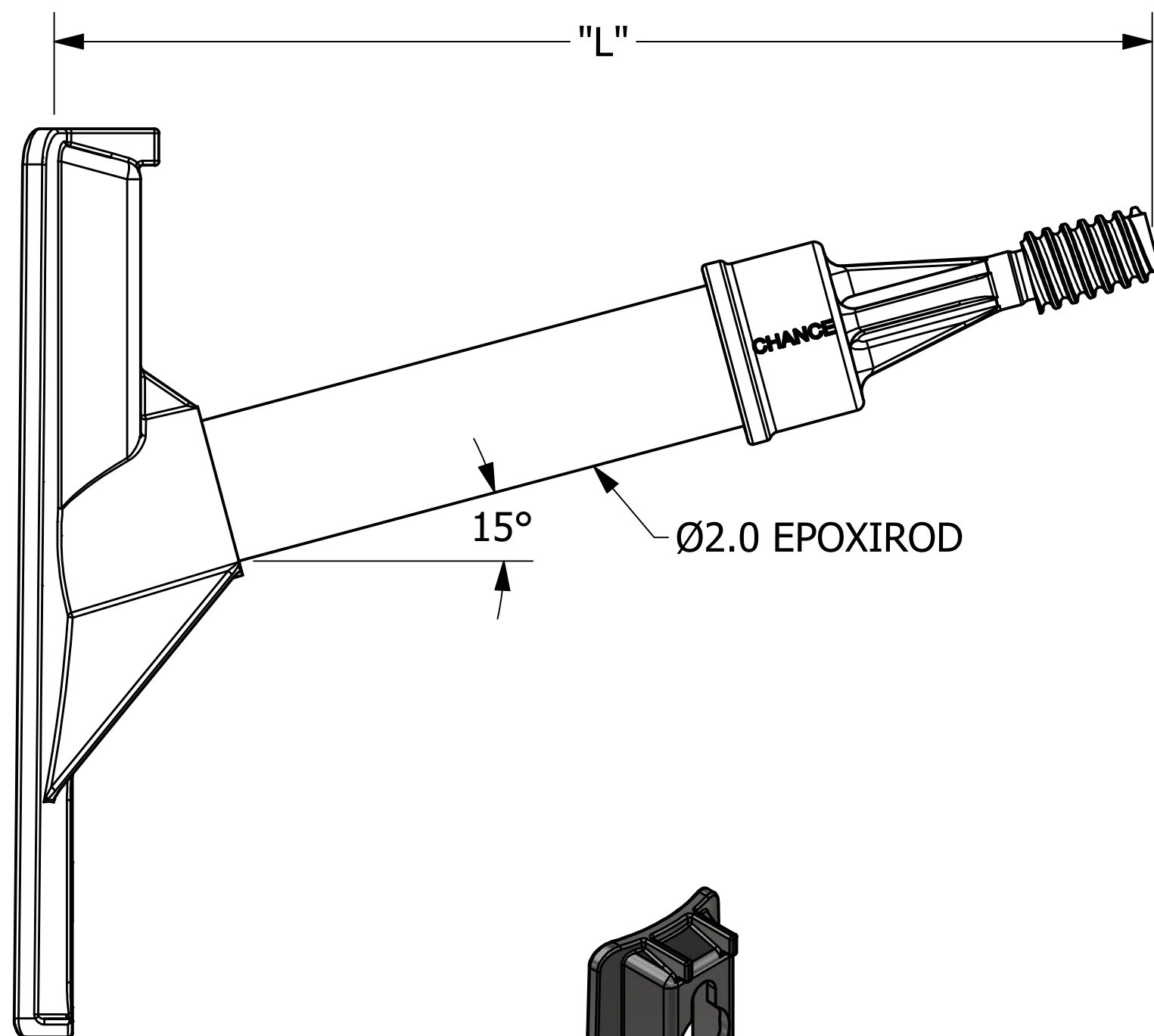
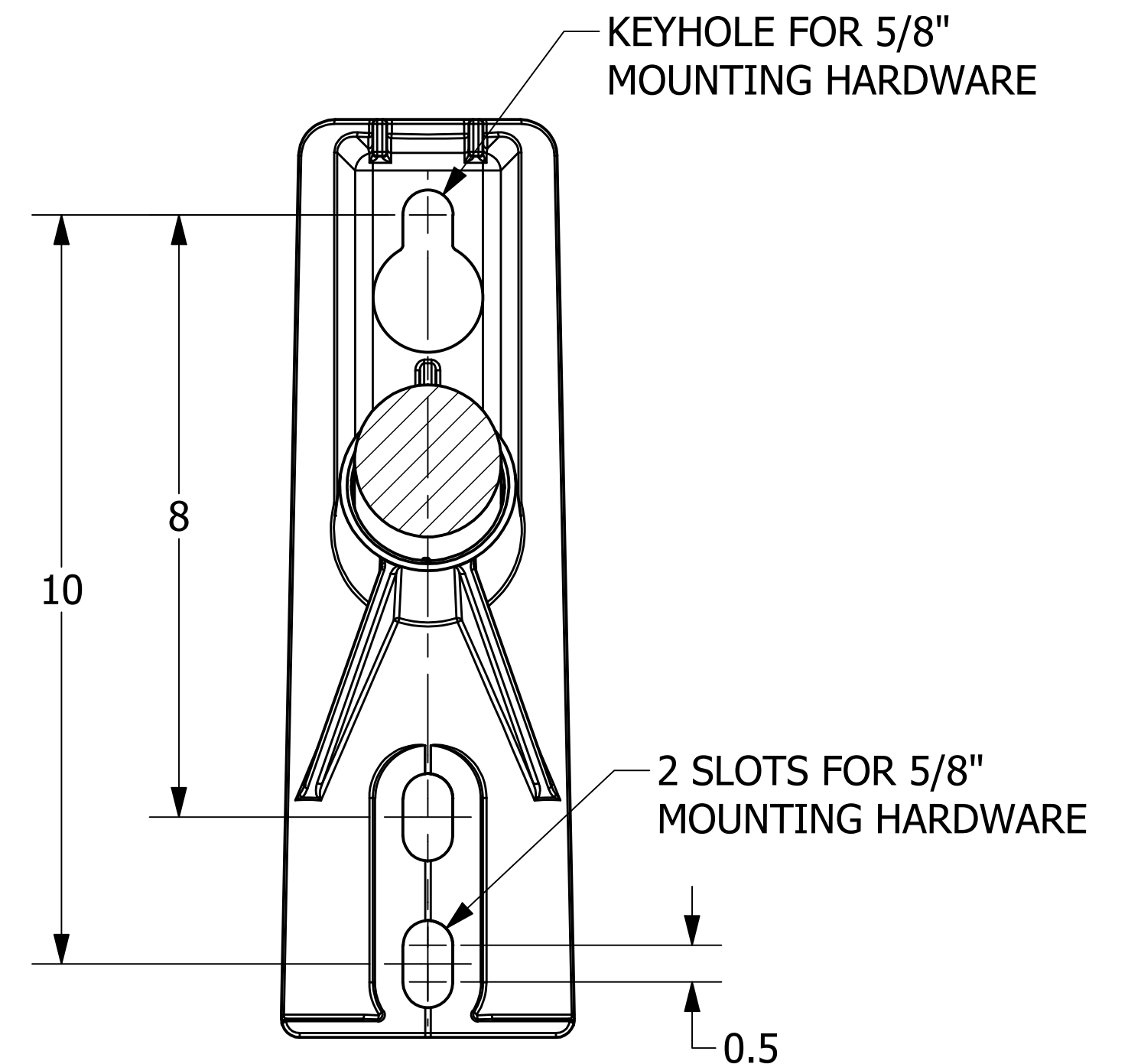


CATALOG NUMBER (NOTES-2 & 3)	"L"	VERTICAL (NOTE-4)	LONGITUDINAL (NOTE-4)	"TRANSVERSE" (NOTE-4)
1SBH12H1	15.0	2,550	2,000	2,500
1SBH18H1	18.0	2,250	1,900	2,500
1SBH20H1	20.0	2,250	1,900	2,500
1SBH24H1	24.0	2,100	1,850	2,500
1SBH27H1	27.0	1,950	1,800	2,500
1SBH30H1	30.0	1,800	1,750	2,500

- NOTES-
- MATERIAL: GALVANIZED DUCTILE IRON END FITTINGS AND BASE CASTING.
 - CATALOG NUMBER SUFFIX DICTATES THREAD MATERIAL
 "-H1" - PLASTISOL THREADS (EX. 1SBH12H1)
 "-H2" - 1" NYLON THREADS (EX. 1SBH12H2)
 "-H3" - 1" LEAD THREADS (EX. 1SBH12H3)
 "-H4" - 1-3/8" LEAD THREADS (EX. 1SBH12H4)
 - FOR SILICONE COATED ROD, ADD "-SC" SUFFIX TO CATALOG NUMBER (EX. 1SBH12H1SC)
 - SEE CHART FOR ULTIMATE LOAD RATING.



LOADING ORIENTATION
NOTE-4



CHANCE [®]	HUBBELL POWER SYSTEMS, INC.		
	TITLE STANDOFF BRACKET, HORIZONTAL PIN SINGLE PHASE, 15°		
SIZE C	CAT / PART / ASSY NO. SEE CHART	DWG NO. SA1SBHXXHX	REV A
DO NOT SCALE THIS DRAWING	DRN BY HOEK	DATE 3/23/22	SHEET 1 OF 1

CONFIDENTIAL: THIS DRAWING AND ITS CONTENTS ARE CONFIDENTIAL AND THE EXCLUSIVE PROPERTY OF HUBBELL POWER SYSTEMS. NO PUBLICATION, DISTRIBUTION, OR COPIES MAY BE MADE WITHOUT THE WRITTEN CONSENT OF HUBBELL POWER SYSTEMS. HUBBELL POWER SYSTEMS UNPUBLISHED ALL RIGHTS RESERVED UNDER THE COPYRIGHT LAWS.