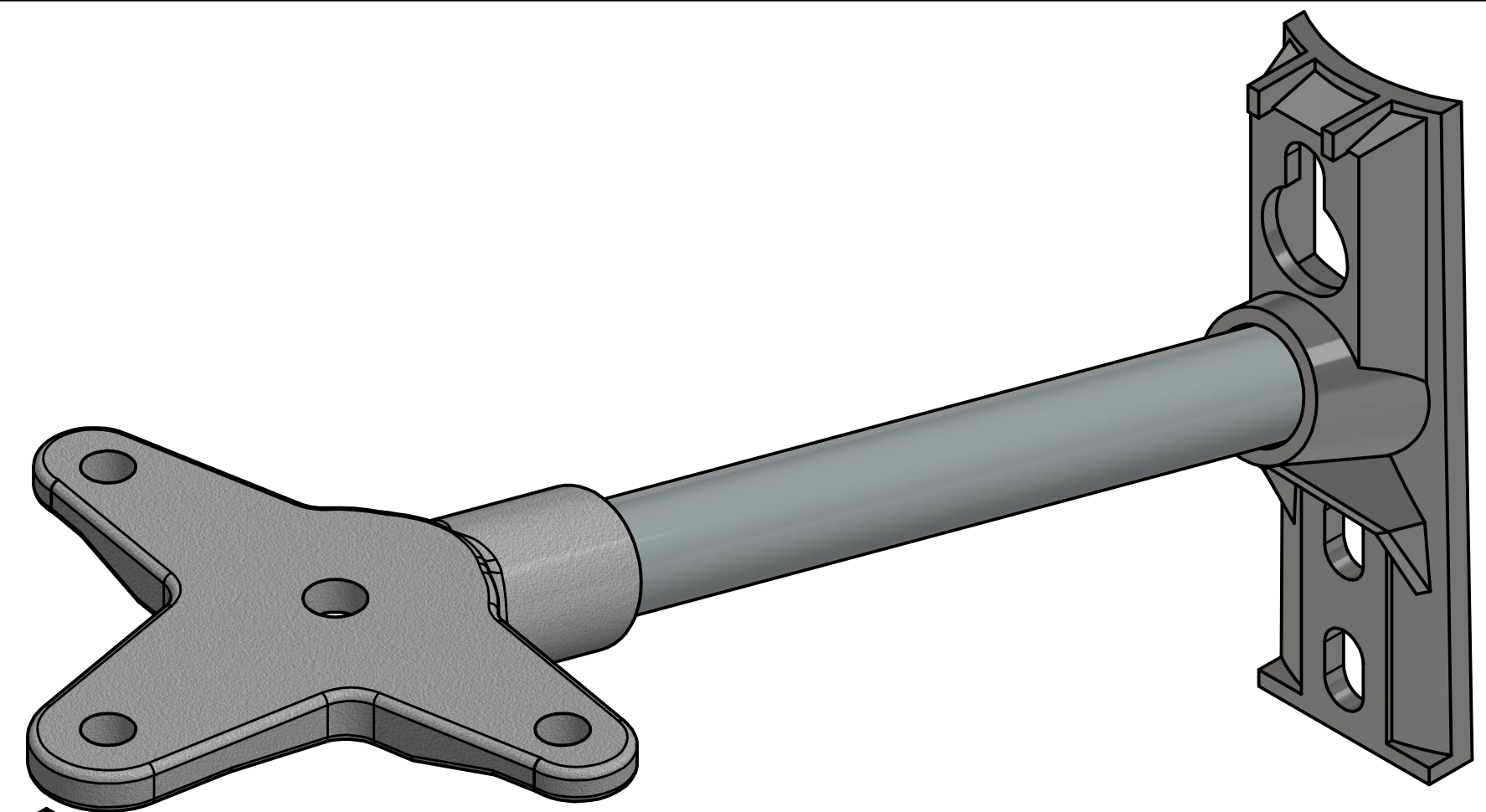


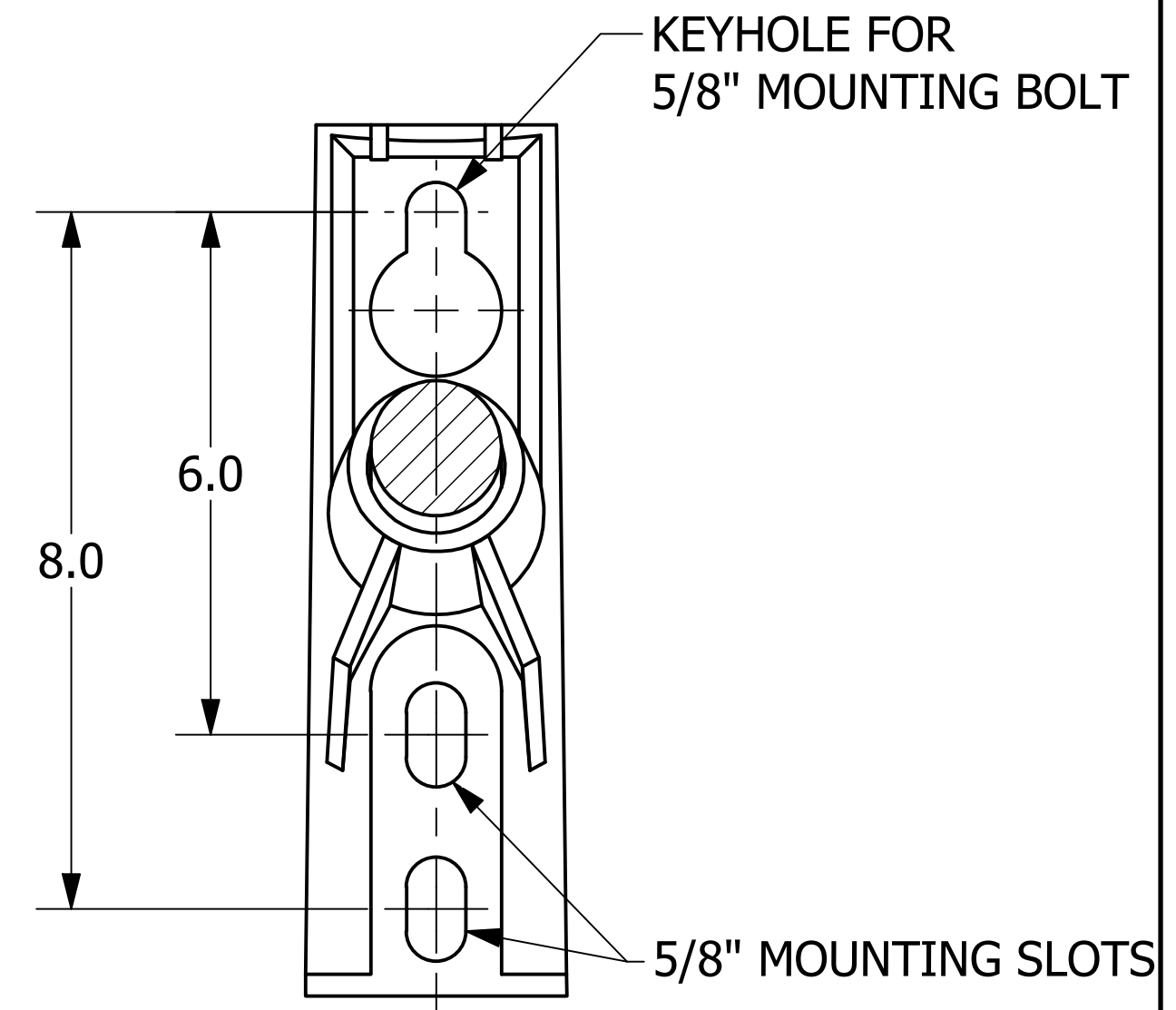
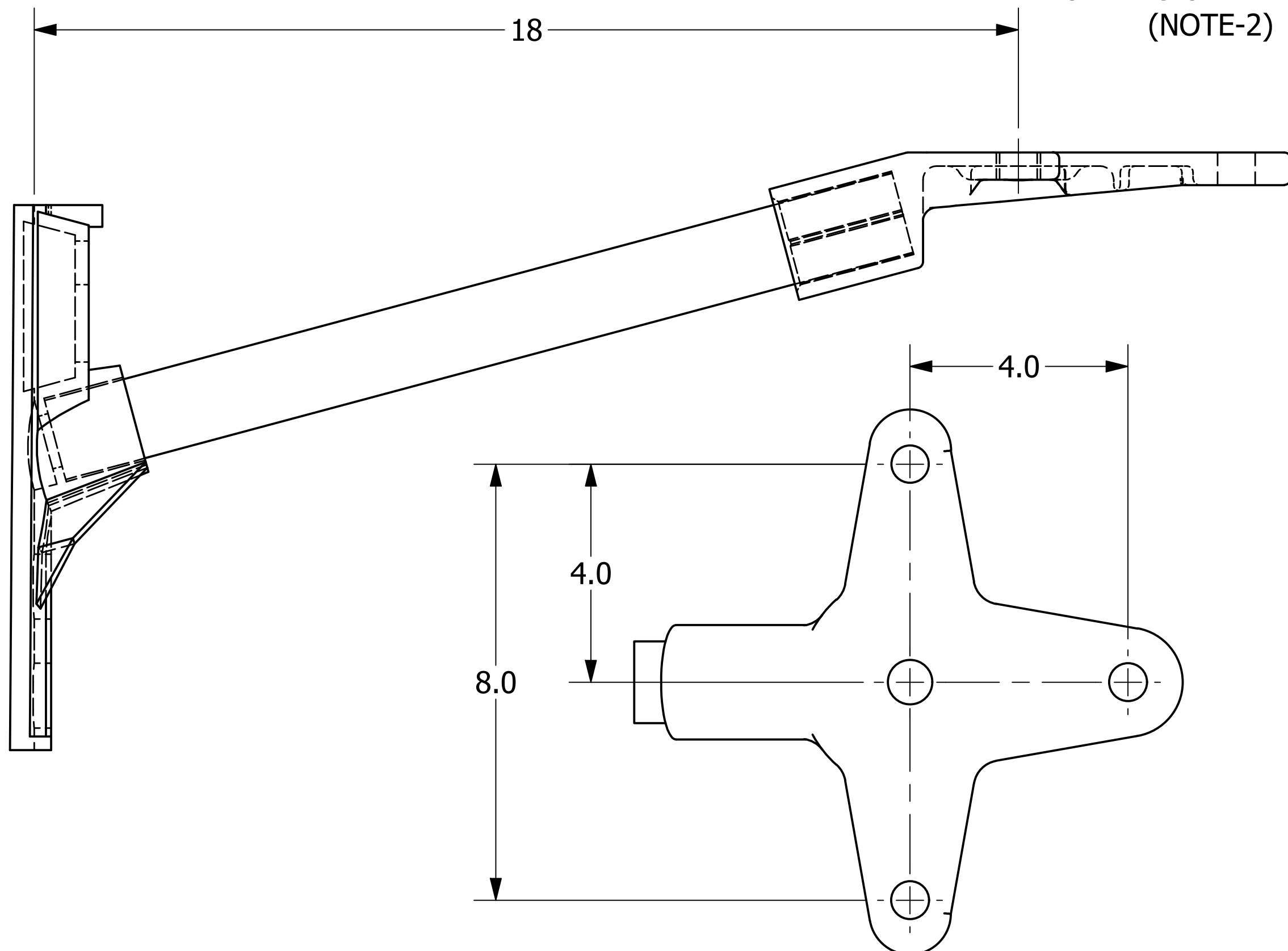
-NOTES-

1. MATERIAL: CAST IRON BASE AND CAST ALUMINUM END FITTING.
2. HARDWARE NOT INCLUDED.
3. LOAD RATINGS:
 VERTICAL: 1,200 LBS
 LONGITUDINAL: 950 LBS
 TRANSVERSE: 10,000 LBS



TRANSVERSE
 VERTICAL
 LONGITUDINAL

LOADING ORIENTATION
 (NOTE-2)



CHANCE [®]	HUBBELL [®] HUBBELL POWER SYSTEMS, INC. POWER SYSTEMS, INC.			
	TITLE SINGLE PHASE BRACKET 4 HOLE CLOVERLEAF (15°)			
CONFIDENTIAL: THIS DRAWING AND ITS CONTENTS ARE CONFIDENTIAL AND THE EXCLUSIVE PROPERTY OF HUBBELL POWER SYSTEMS. NO PUBLICATION, DISTRIBUTION, OR COPIES MAY BE MADE WITHOUT THE WRITTEN CONSENT OF HUBBELL POWER SYSTEMS. HUBBELL POWER SYSTEMS UNPUBLISHED ALL RIGHTS RESERVED UNDER THE COPYRIGHT LAWS.	SIZE C	CAT / PART / ASSY NO. 1SBM18CLRH	DWG NO. SA1SBMCLRH	REV A
DO NOT SCALE THIS DRAWING	DRN BY HOEK	DATE 3/27/20	SHEET 1 OF 1	