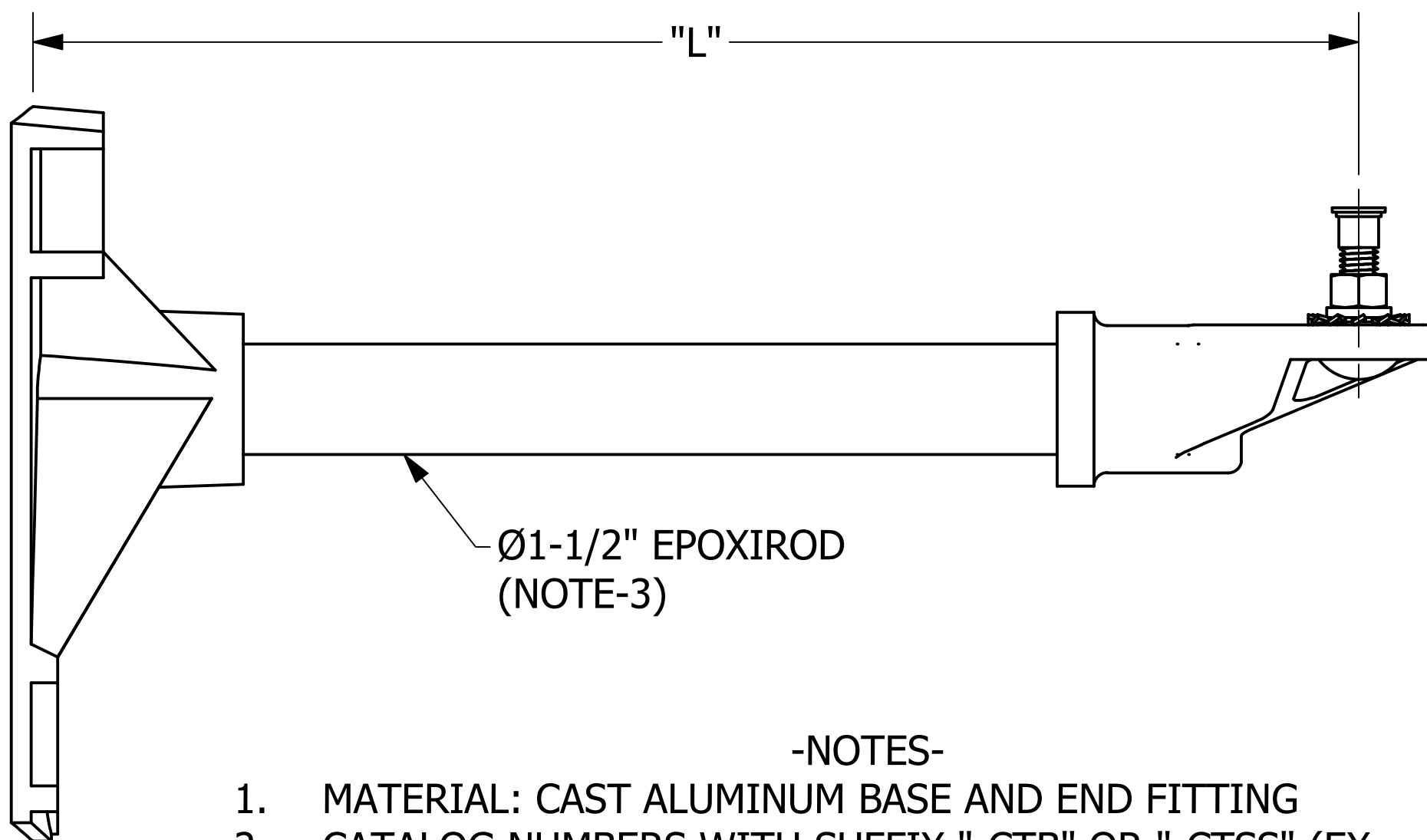


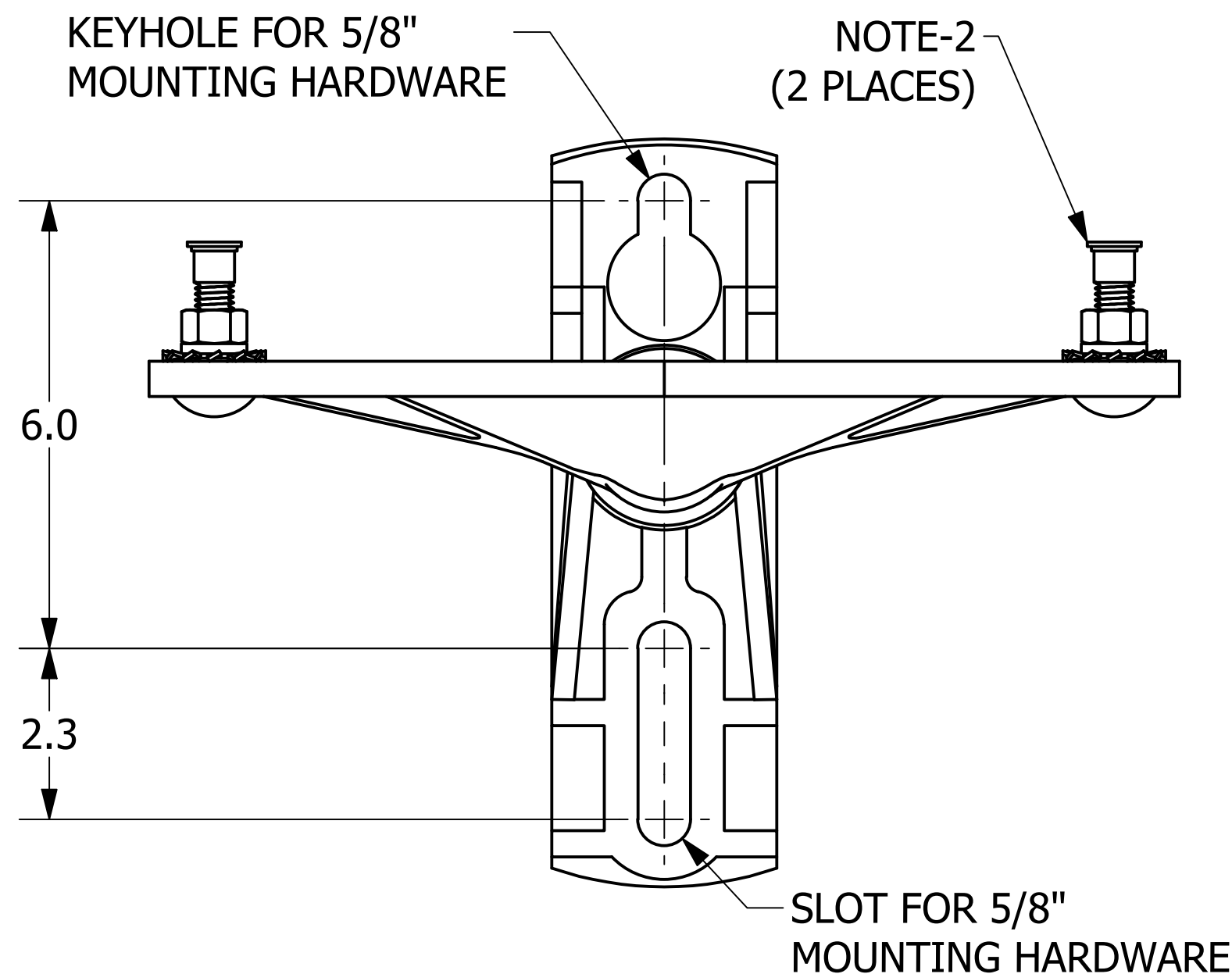
LONGITUDINAL
 VERTICAL
 TRANSVERSE

CATALOG NUMBER (NOTES-2 & 3)	DESCRIPTION	"L"	VERTICAL (NOTE-4)	LONGITUDINAL (NOTE-4)	TRANSVERSE (NOTE-4)
1SBM12CT	12" STANDOFF	12.0	1,800	1,400	10,000
1SBM15CT	15" STANDOFF	15.0	1,500	1,200	10,000
1SBM18CT	18" STANDOFF	18.0	1,200	1,000	10,000
1SBM21CT	21" STANDOFF	21.0	1,050	700	10,000
1SBM24CT	24" STANDOFF	24.0	900	500	10,000
1SBM12CTB	12" STANDOFF WITH HARDWARE	12.0	1,800	1,400	10,000
1SBM15CTB	15" STANDOFF WITH HARDWARE	15.0	1,500	1,200	10,000
1SBM18CTB	18" STANDOFF WITH HARDWARE	18.0	1,200	1,000	10,000
1SBM21CTB	21" STANDOFF WITH HARDWARE	21.0	1,050	700	10,000
1SBM24CTB	24" STANDOFF WITH HARDWARE	24.0	900	500	10,000
1SBM18CTSS	18" STANDOFF WITH SS HARDWARE	18.0	1,200	1,000	10,000

LOADING ORIENTATION
(NOTE-3)



Ø1-1/2" EPOXIROD
(NOTE-3)



KEYHOLE FOR 5/8"
MOUNTING HARDWARE

NOTE-2
(2 PLACES)

6.0

2.3

SLOT FOR 5/8"
MOUNTING HARDWARE

-NOTES-

1. MATERIAL: CAST ALUMINUM BASE AND END FITTING
2. CATALOG NUMBERS WITH SUFFIX "-CTB" OR "-CTSS" (EX. 1SBM12CTB) INCLUDE A 1/2 X 2" CAPTIVE CARRIAGE BOLT, EXTERNAL TOOTH LOCKWASHER, LOCKWASHER, HEX NUT, AND CAPPLUG. CATALOG NUMBER 1SBM18CTSS CONTAINS STAINLESS STEEL HARDWARE
3. ADD A "-SC" SUFFIX TO THE END OF THE CATALOG NUMBER FOR SILICONE COATED ROD (EX. 1SBM12CTBSC).
4. SEE CHART FOR ULTIMATE LOAD RATINGS

CHANCE [®] <small>CONFIDENTIAL: THIS DRAWING AND ITS CONTENTS ARE CONFIDENTIAL AND THE EXCLUSIVE PROPERTY OF HUBBELL POWER SYSTEMS. NO PUBLICATION, DISTRIBUTION, OR COPIES MAY BE MADE WITHOUT THE WRITTEN CONSENT OF HUBBELL POWER SYSTEMS. HUBBELL POWER SYSTEMS UNPUBLISHED ALL RIGHTS RESERVED UNDER THE COPYRIGHT LAWS.</small>			HUBBELL POWER SYSTEMS, INC.	
	CUTOUT/ARRESTER BARCKET (0°) 2 POSITION, SINGLE PHASE			
<small>DO NOT SCALE THIS DRAWING</small>	<small>SIZE</small> C	<small>CAT / PART / ASSY NO.</small> SEE CHART	<small>DWG NO.</small> 1SBMXXCT	<small>REV</small> A
	<small>DRN BY</small> HOEK	<small>DATE</small> 3/23/22	<small>SHEET 1 OF 1</small>	