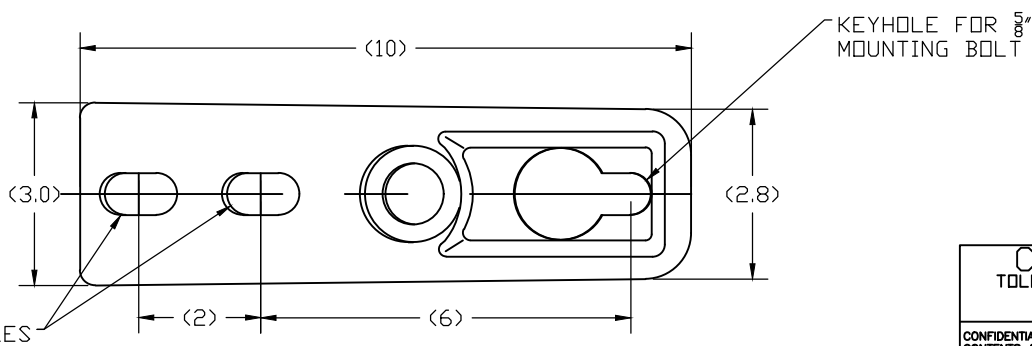


CATALOG NUMBER	DESCRIPTION	"A"	VERTICAL B (LBS)	LONGITUDINAL C (LBS)	TRANSVERSE D (LBS)
1SBM12V1	1-1/2" VERTICAL PIN STANDOFF	12"	1800	1400	2000
1SBM15V1	1-1/2" VERTICAL PIN STANDOFF	15"	1500	1100	2000
1SBM18V1	1-1/2" VERTICAL PIN STANDOFF	18"	1200	950	2000
1SBM21V1	1-1/2" VERTICAL PIN STANDOFF	21"	1000	800	2000
1SBM24V1	1-1/2" VERTICAL PIN STANDOFF	24"	900	700	2000

- Recommended maximum working load is 50% of minimum ultimate ratings listed.
- "L" V1-2"
- V3-1.75"
- V4- 2.13"
- 1SB--V1 series has 1" DIA plastisol coated threads
- For 1" DIA Nylon threads, replace "V1" with "V2"
- For 1" DIA lead threads, Replace "V1" with "V3"
- For 1.375" DIA lead threads, replace "V1" with "V4"
- Consult factory for additional lengths
- Add "SC" suffix to the end of the catalog number to denote Silicone Coated Rod



CHANCE TOLERANCE CHART		HUBBELL POWER SYSTEMS POWER SYSTEMS, INC.			
CONFIDENTIAL: THIS DRAWING AND ITS CONTENTS ARE CONFIDENTIAL AND THE EXCLUSIVE PROPERTY OF HUBBELL POWER SYSTEMS. NO PUBLICATION, DISTRIBUTION OR COPIES MAY BE MADE WITHOUT THE WRITTEN CONSENT OF HUBBELL POWER SYSTEMS. HUBBELL POWER SYSTEMS UNPUBLISHED ALL RIGHTS RESERVED UNDER THE COPYRIGHT LAWS.					
TITLE 1-1/2" VERTICAL PIN STANDOFF					
SIZE	DWG NO.	CAT / PART / ASSY NO.		REV	
SB	SA1SBM12V1	SEE CHART		B	
DO NOT SCALE THIS DRAWING	DRN BY	DATE	SHEET	OF	
	JOBE	08/27/02	01	01	