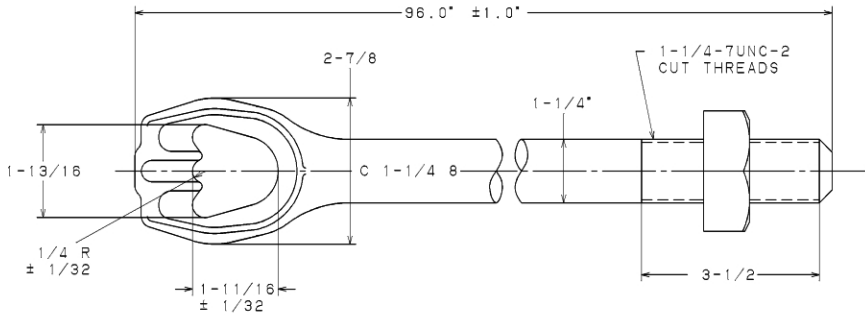


==NOTE==

1. HOT DIP GALVANIZED PER ASTM A153- (LATEST REV).
2. MATERIAL: STEEL PER ASTM A575.



CATALOG NUMBER
C200-0028

LATEST EC NO:	REV.	DATE	CHANGED BY	RESP ENGINEER
91112201	B	11-22-91	KOEHLER	SEIDER
				DO NOT SCALE THIS DWG THIRD ANGLE PROJECTION ISO DUAL DIMENSIONS IN=INCH, MM=MILLIMETER
DRN BY:	DATE:	TITLE:		SIZE:
JONES	08-10-91	THREADED TRIPLE YE ROD-1-1/4"		B
				DWG NO: SA200-0028

CONFIDENTIAL: THIS DRAWING AND ITS CONTENTS ARE CONFIDENTIAL AND THE EXCLUSIVE PROPERTY OF HUBBELL POWER SYSTEMS, INC. NO REPRODUCTION, REPRODUCTION, OR TRANSMISSION OF THIS DRAWING OR ITS CONTENTS IS PERMITTED WITHOUT WRITTEN CONSENT BY HUBBELL POWER SYSTEMS, INC. © 2000 HUBBELL/A. B. CHANCE. UNPUBLISHED - ALL RIGHTS RESERVED UNDER THE COPYRIGHT LAWS