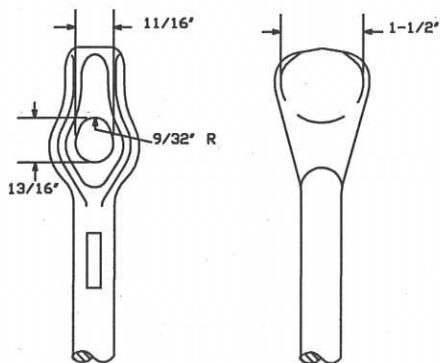
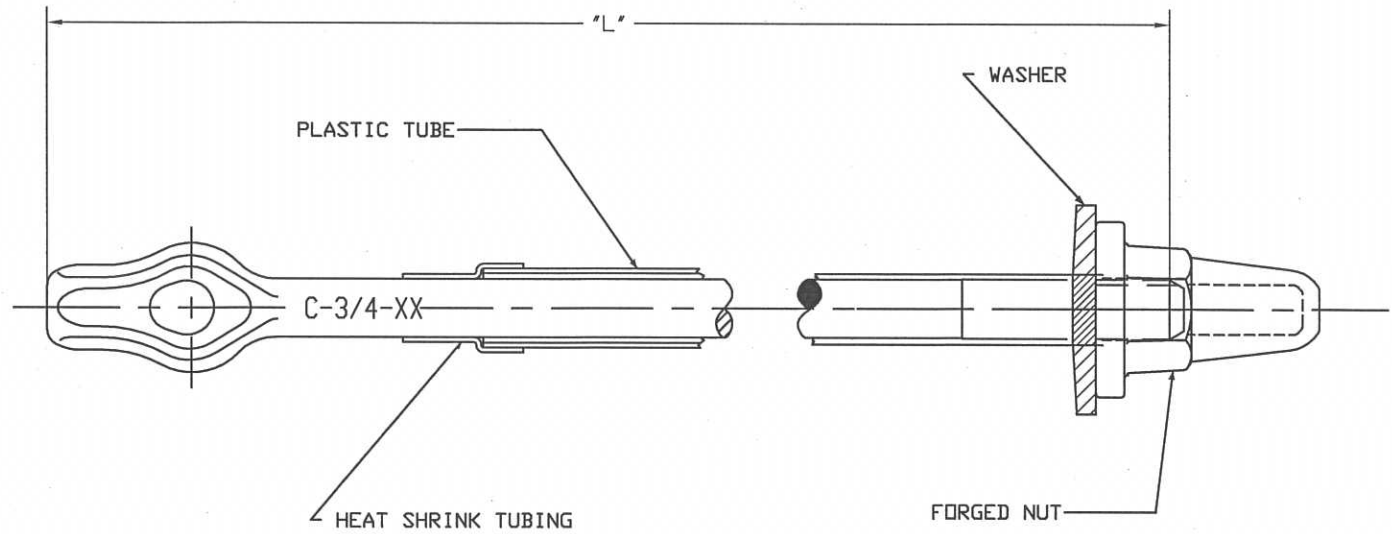



-NOTES-

1. MATERIAL: STEEL, HOT DIP GALVANIZED PER ASTM A153 (LATEST REVISION).
2. FINISH: BLACK ASPHALT COATING.
3. XX DENOTES THE LENGTH STAMP OF THE ROD. SEE 'L' FOR LENGTHS.



CATALOG NUMBER	"L"
C2000047AW	6'
C2000048AW	7'
C2000049AW	8'
C2000050AW	10'

CHANCE™		 HUBBELL POWER SYSTEMS	
CONFIDENTIAL: THIS DRAWING AND ITS CONTENTS ARE CONFIDENTIAL AND THE EXCLUSIVE PROPERTY OF HUBBELL POWER SYSTEMS. NO PUBLICATION, DISTRIBUTION OR COPIES MAY BE MADE WITHOUT THE WRITTEN CONSENT OF HUBBELL POWER SYSTEMS. HUBBELL POWER SYSTEMS UNPUBLISHED. ALL RIGHTS RESERVED UNDER THE COPYRIGHT LAWS.		TITLE THREADED THIMBLEYE® ROD 3/4"	
		SIZE SB SA2000049AW	DWG NO. -
DO NOT SCALE THIS DRAWING	DRN BY MEB	DATE 12/2/15	SHEET 1/1