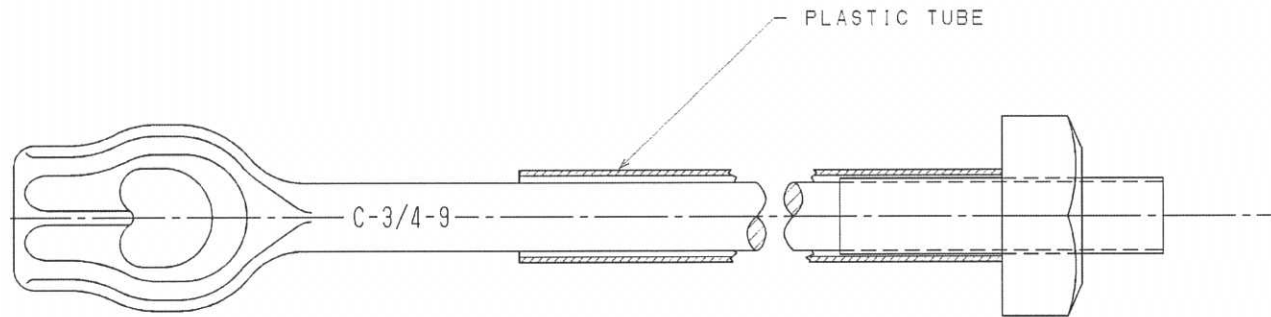


-NOTES-

1. MAT'L: STEEL, HOT DIP GALVANIZED PER ASTM A153 (LATEST REVISION).



LATEST EC NO:		REV.	DATE	CHANGED BY	RESP ENGINEER
91082804		-	-----	---	ODOM
					DO NOT SCALE THIS DWG THIRD ANGLE PROJECTION ISO DUAL DIMENSIONS IN=INCH, MM=MILLIMETER
DRN BY:	DATE	TITLE:		SIZE	
KOEHLER	08-28-91	THREADED TWINEYE ROD 3/4"		C	
				DWG NO: SA200-0095	

CONFIDENTIAL: THIS DRAWING AND ITS CONTENTS ARE CONFIDENTIAL AND THE EXCLUSIVE PROPERTY OF HUBBELL / A. B. CHANCE COMPANY. NO PUBLICATION, DISTRIBUTION OR COPIES MAY BE MADE WITHOUT WRITTEN CONSENT. B. HUBBELL / A. B. CHANCE COMPANY. © 2000 HUBBELL / A. B. CHANCE. UNPUBLISHED - ALL RIGHTS RESERVED UNDER THE COPYRIGHT LAWS