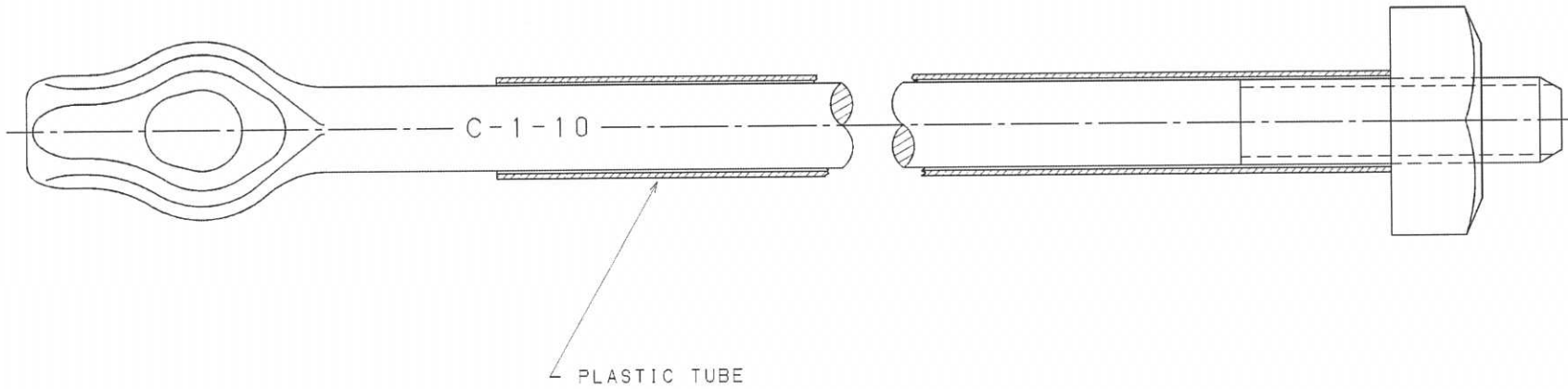


-NOTES-

1. MATERIAL: STEEL, HOT DIP GALVANIZED
PER ASTM A163 (LATEST REVISION).



LATEST EC NO:		REV.	DATE	CHANGED BY	RESP ENGINEER
91082803		-	-----	---	ODOM
					DO NOT SCALE THIS DWG THIRD ANGLE PROJECTION ISO DUAL DIMENSIONS IN=INCH, MM=MILLIMETER
DRN BY:	DATE	TITLE:			SIZE
KOEHLER	08-30-91	THREADED THIMBLEYE ROD 1"			C
				DVG NO: SA200-0103	

CONFIDENTIAL: THIS DRAWING AND ITS CONTENTS ARE CONFIDENTIAL AND THE EXCLUSIVE PROPERTY OF HUBBELL / A.B. CHANCE COMPANY. NO PUBLICATION, DISTRIBUTION, OR REPRODUCTION OF THIS DRAWING OR ANY PARTS THEREOF IS PERMITTED WITHOUT THE WRITTEN CONSENT OF HUBBELL / A.B. CHANCE COMPANY. © 2000 HUBBELL/A.B. CHANCE. UNPUBLISHED - ALL RIGHTS RESERVED UNDER THE COPYRIGHT LAWS