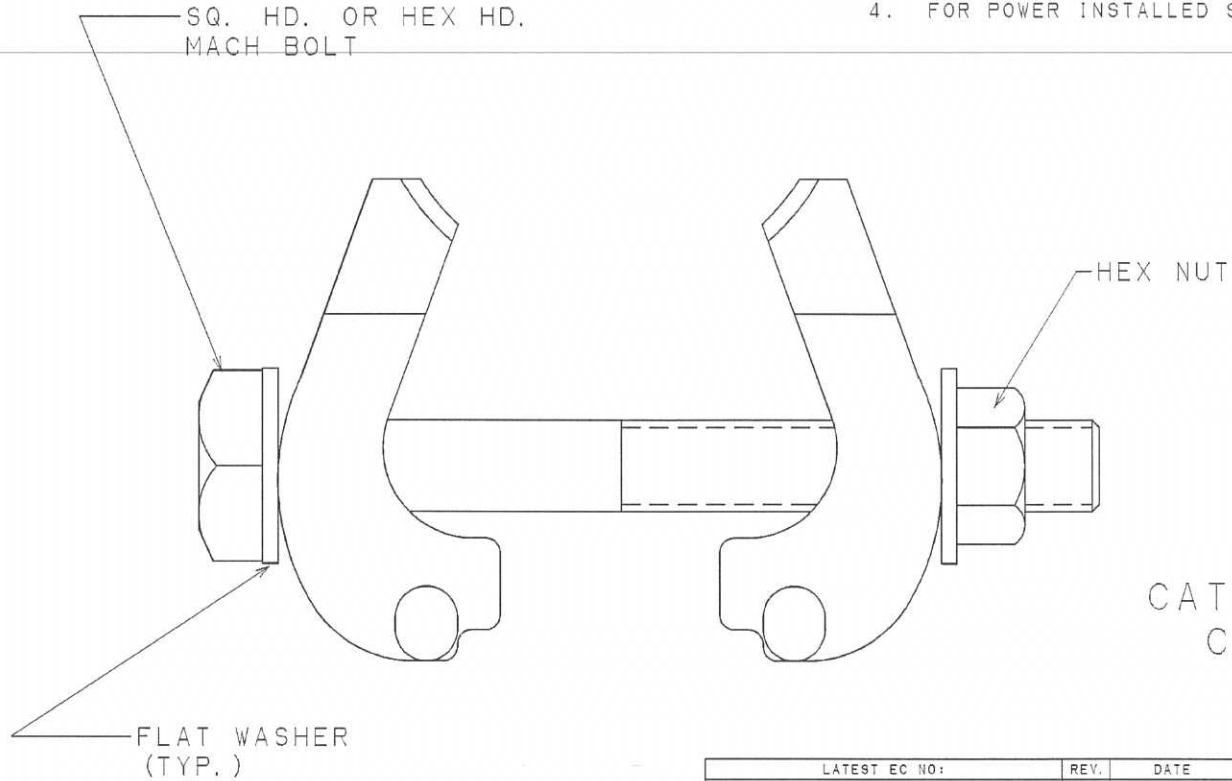
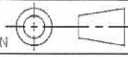




==NOTE==

1. MAT'L: ALUMINUM ALLOY.
2. GALVANIZED STEEL HARDWARE.
3. FITS TRIPLEYE 5/8", 3/4" DIA. & 1" DIA. ROD.
4. FOR POWER INSTALLED SCREW ANCHORS.



CATALOG NUMBER
CC203-0148

LATEST EC NO:		REV.	DATE	CHANGED BY	RESP ENGINEER
EC92102701		-	-----	---	ODOM
				DO NOT SCALE THIS DWG	THIRD ANGLE PROJECTION 
				ISO DUAL DIMENSIONS IN=INCH, MM=MILLIMETER	
DRN BY:	DATE	TITLE:			SIZE
MARTIN	11-08-82	TRIPLEYE BONDING CLAMP B			B
		CHANCE			DWG NO: SA203-0148

CONFIDENTIAL: THIS DRAWING AND ITS CONTENTS ARE CONFIDENTIAL AND THE EXCLUSIVE PROPERTY OF HUBBELL / A. B. CHANCE COMPANY. NO PUBLICATION, DISTRIBUTION OR COPIES MAY BE MADE WITHOUT WRITTEN CONSENT BY HUBBELL / A. B. CHANCE COMPANY. © 2000 HUBBELL/A. B. CHANCE. UNPUBLISHED - ALL RIGHTS RESERVED UNDER THE COPYRIGHT LAWS