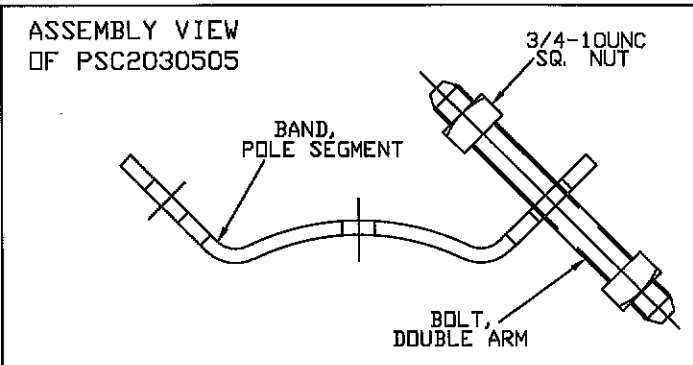
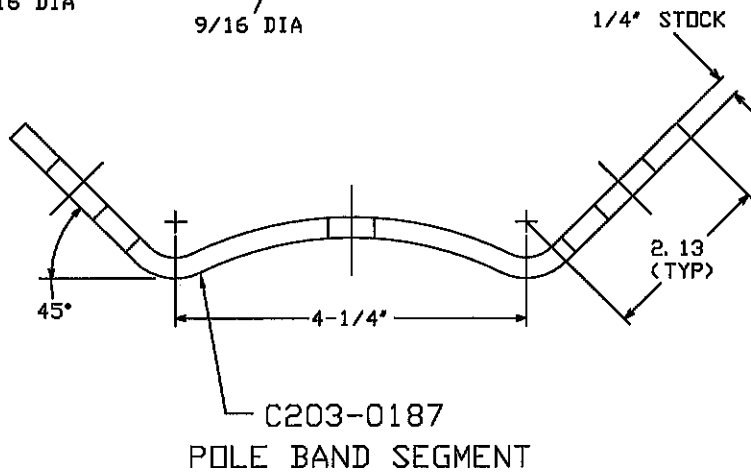


CATALOG NUMBER	DESCRIPTION
C203-0187	POLE BAND SEGMENT
PSC2030505	POLE BAND SEGMENT W/ BOLT & SQ. NUTS



19717	09/22/06	ROY	KIRK	CHANCE TOLERANCE CHART		HUBBELL POWER SYSTEMS	
EC #	DATE	CHG BY	RESP ENG	CONFIDENTIAL	NO. 1	NO. 2	NO. 3
DESC OF DWG			AREAS AFFECTED BY LATEST ED	CONFIDENTIAL: THIS DRAWING AND ITS CONTENTS ARE CONFIDENTIAL AND THE EXCLUSIVE PROPERTY OF HUBBELL POWER SYSTEMS. NO PUBLICATION, DISTRIBUTION OR COPIES MAY BE MADE WITHOUT THE WRITTEN CONSENT OF HUBBELL POWER SYSTEMS. HUBBELL POWER SYSTEMS UNPUBLISHED. ALL RIGHTS RESERVED UNDER THE COPYRIGHT LAWS.			
SET UP CATALOG # POLE BAND WITH C203-0187 ONLY WITH 2 SQ NUTS			S.P.C. -	TITLE			
			FALL -	C SA203-0187 SEE CHART			
			TOOL/EQUIP -	SIZE	DWG NO.	QTY / PART / ASSY NO.	REV
			SUPPLIER -	C	SA203-0187	SEE CHART	A
			MARKS -	DO NOT SCALE THIS DRAWING	DRN BY JONES	DATE 07/02/91	SHEET 01 OF 01
REASON (S) FOR CHANGE			PRICE/PROG -				
DISPOSITION OF MAT'L			INSY/TEST -				