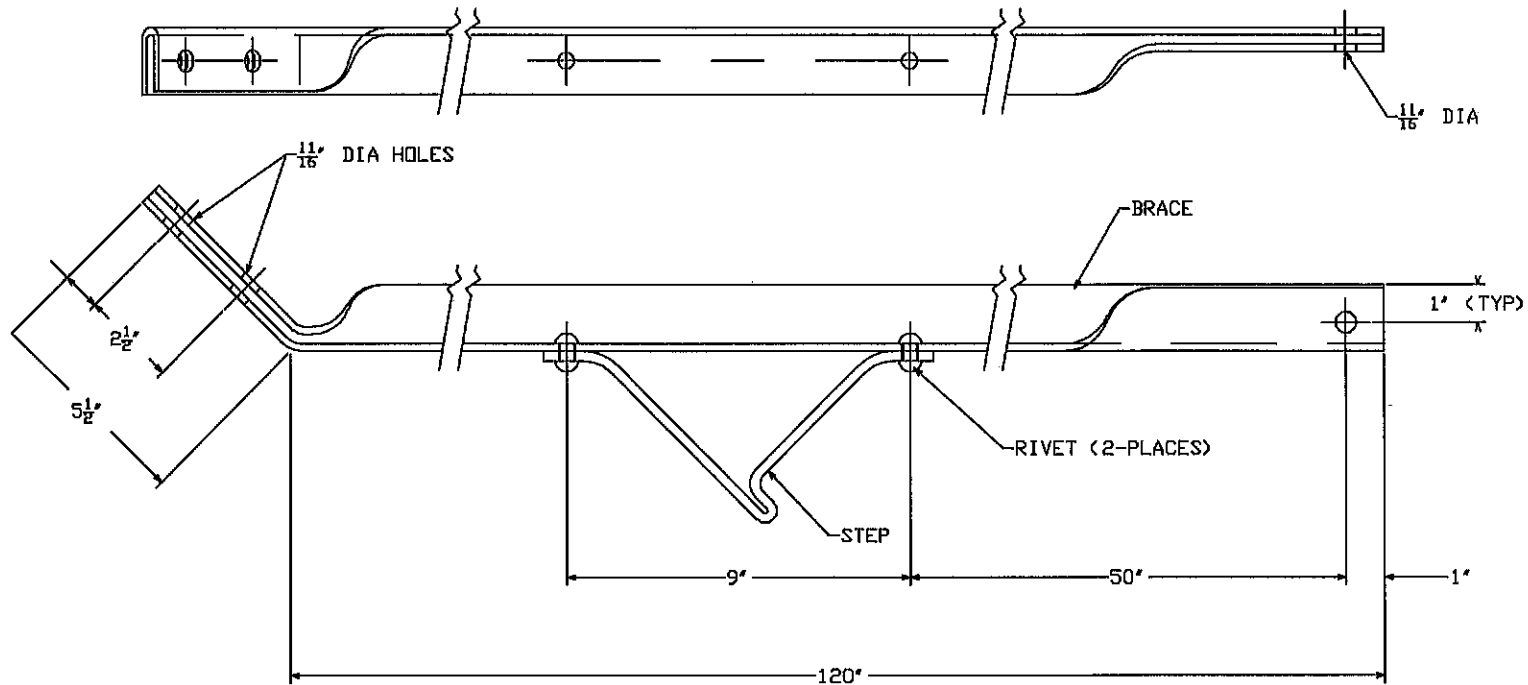


==NOTES==

1. MAT'L: STEEL ANGLE 2" X 2" X 1/4".
2. HOT DIP GALVANIZED PER ASTM A153 (LATEST REVISION).



CATALOG NUMBER  
T203-0367

10514	06/09/06	RDY	HAMILTON	CHANCE TOLERANCE CHART		HUBBELL POWER SYSTEMS		
EC #	DATE	CHG BY	RESP ENG	X ± .000 TRAC ±.010 ANGLES ±.010 X ± .000 ADD DRIP UNLESS NOTED X ± .000 CASTING ±.010 FINISHES 7		ALLEY ARM BRACE		
DESC OF DWG CORRECTED NOTE-1.			AREAS AFFECTED BY LATEST ED		CONFIDENTIAL: THIS DRAWING AND ITS CONTENTS ARE CONFIDENTIAL AND THE EXCLUSIVE PROPERTY OF HUBBELL POWER SYSTEMS. NO PUBLICATION, DISTRIBUTION OR COPIES MAY BE MADE WITHOUT THE WRITTEN CONSENT OF HUBBELL POWER SYSTEMS. UNPUBLISHED HUBBELL POWER SYSTEMS UNPUBLISHED ALL RIGHTS RESERVED UNDER THE COPYRIGHT LAWS.			
REASON (S) FOR CHANGE: UPDATE, CLARITY OR NOTICE ONLY			S.P.C. - Y N F.A.I. - X TOOL/EQUIP - X SUPPLIER - X GAUGES - X PRCS PROD - X PRG/LABEL - X RSH/TEST - X		SIZE	DWG NO.	CAT / PART / ASSY NO.	REV
DISPOSITION OF MAT'L: USE STOCK					SA	SA203-0367	T203-0367	B
				DO NOT SCALE THIS DRAWING	DRN BY HOWARD	DATE 09/27/93	SHEET 01 OF 01	