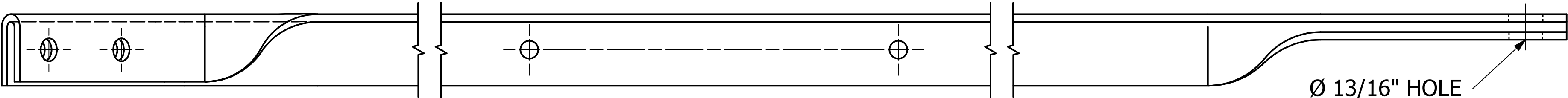
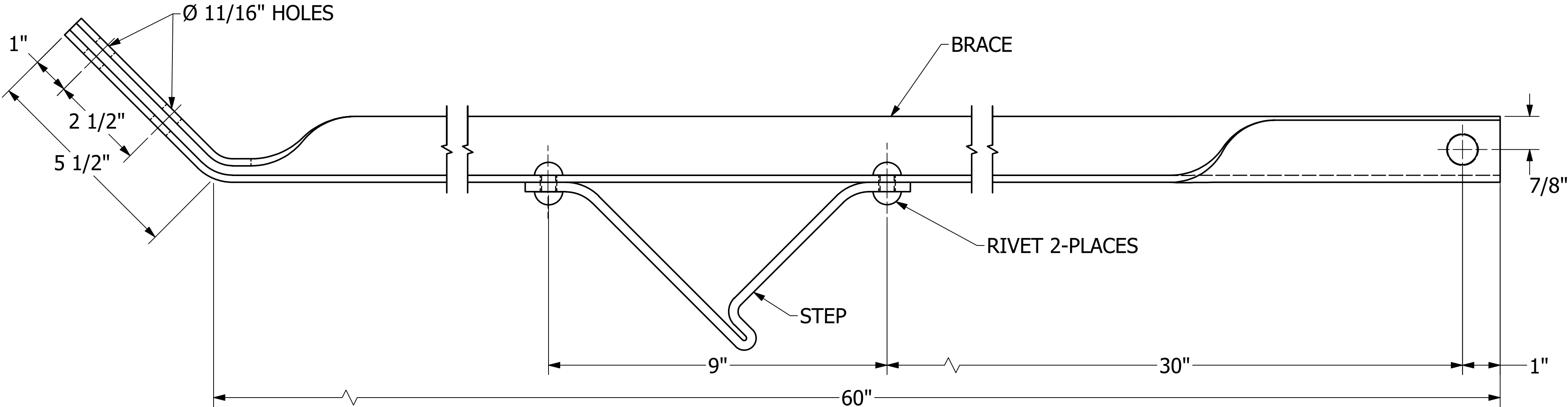


-NOTES-

- 1. MAT'L: STEEL ANGLE 1-3/4" X 1-3/4" X 3/16".
- 2. HOT DIP GALVANIZED PER ASTM A153 (LATEST REVISION).



Ø 13/16" HOLE



CATALOG NUMBER
T2030482

<p>CHANCE[®]</p> <p><small>CONFIDENTIAL: THIS DRAWING AND ITS CONTENTS ARE CONFIDENTIAL AND THE EXCLUSIVE PROPERTY OF HUBBELL POWER SYSTEMS. NO PUBLICATION, DISTRIBUTION, OR COPIES MAY BE MADE WITHOUT THE WRITTEN CONSENT OF HUBBELL POWER SYSTEMS. HUBBELL POWER SYSTEMS UNPUBLISHED ALL RIGHTS RESERVED UNDER THE COPYRIGHT LAWS.</small></p>	<p>HUBBELL POWER SYSTEMS, INC.</p>		
	<p>TITLE</p> <p>ALLEY ARM BRACE ASSEMBLY</p>		
<p>SIZE</p> <p>C</p>	<p>CAT / PART / ASSY NO.</p> <p>T2030482</p>	<p>DWG NO.</p> <p>SA2030482</p>	<p>REV</p> <p>B</p>
<p>DO NOT SCALE THIS DRAWING</p>	<p>DRN BY CAU</p>	<p>DATE 03/29/18</p>	<p>SHEET 1 OF 1</p>