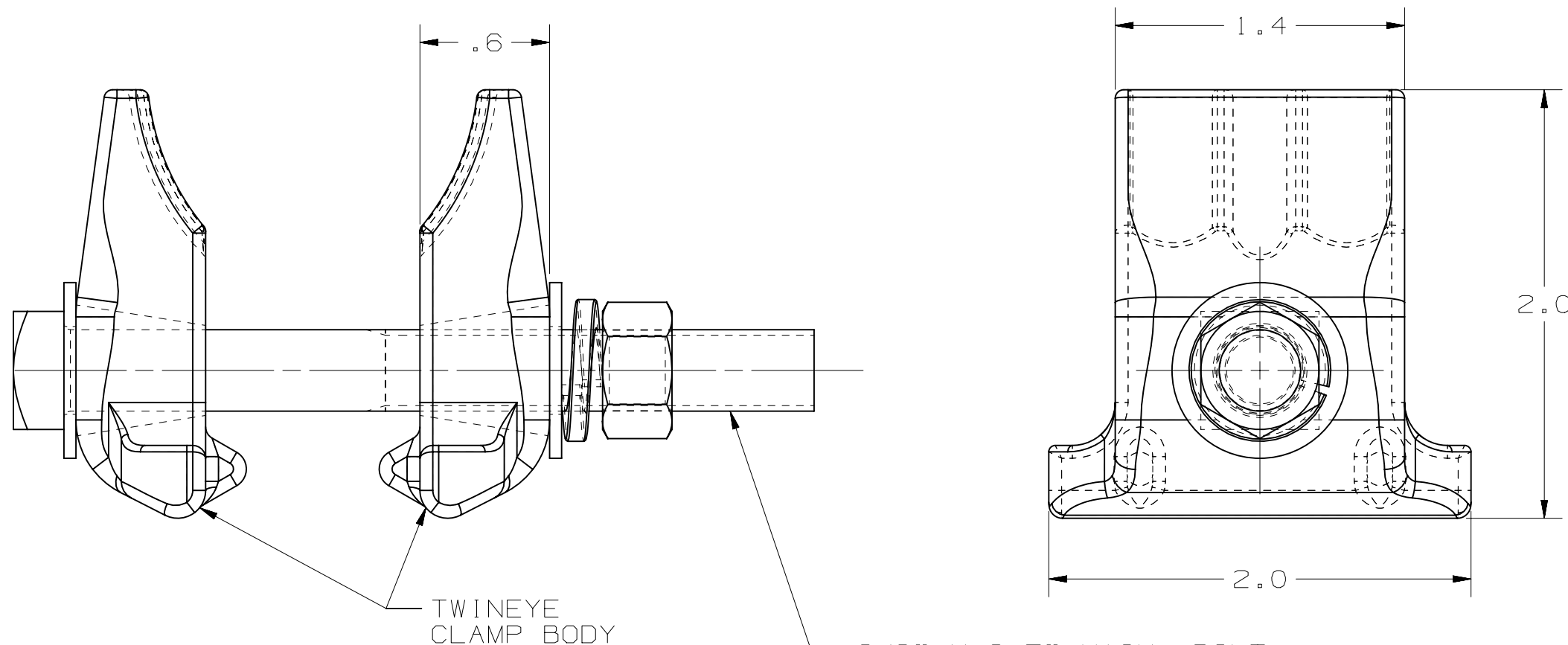
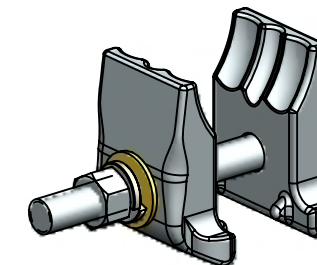


-NOTES-

- 1. CLAMP MATERIAL: CAST ALUMINUM ALLOY-10 A356-F  
CLAMP FINISH: NONE
- 2. HARDWARE MATERIAL: STEEL  
HARDWARE FINISH: ZINC PLATED
- 2. ASSEMBLED COMPLETE AS SHOWN



TWINEYE  
CLAMP BODY

3/8" X 3.5" MACH. BOLT,  
RD. WASHER (2x), LOCKWASHER,  
& HEX NUT

CATALOG NUMBER:  
PSC203-0520

LATEST EC NO: ---		REV. A	DATE 01/09/14	CHANGED BY WILSON	RESP ENGINEER WILSON
				DO NOT SCALE THIS DWG	THIRD ANGLE PROJECTION ISO DUAL DIMENSIONS IN=INCH, MM=MILLIMETER
DRN BY: WILSON	DATE 01/04/13	TITLE: TWINEYE BONDING CLAMP (SS ANCHOR)			SIZE B
				DWG NO: SA203-0520	

CONFIDENTIAL: THIS DRAWING AND ITS CONTENTS ARE CONFIDENTIAL AND THE EXCLUSIVE PROPERTY OF HUBBELL POWER SYSTEMS, INC. NO PUBLICATION, DISTRIBUTION OR COPIES MAY BE MADE WITHOUT WRITTEN CONSENT BY HUBBELL POWER SYSTEMS, INC. © 2012 HUBBELL POWER SYSTEMS. UNPUBLISHED, ALL RIGHTS RESERVED UNDER THE COPYRIGHT LAWS