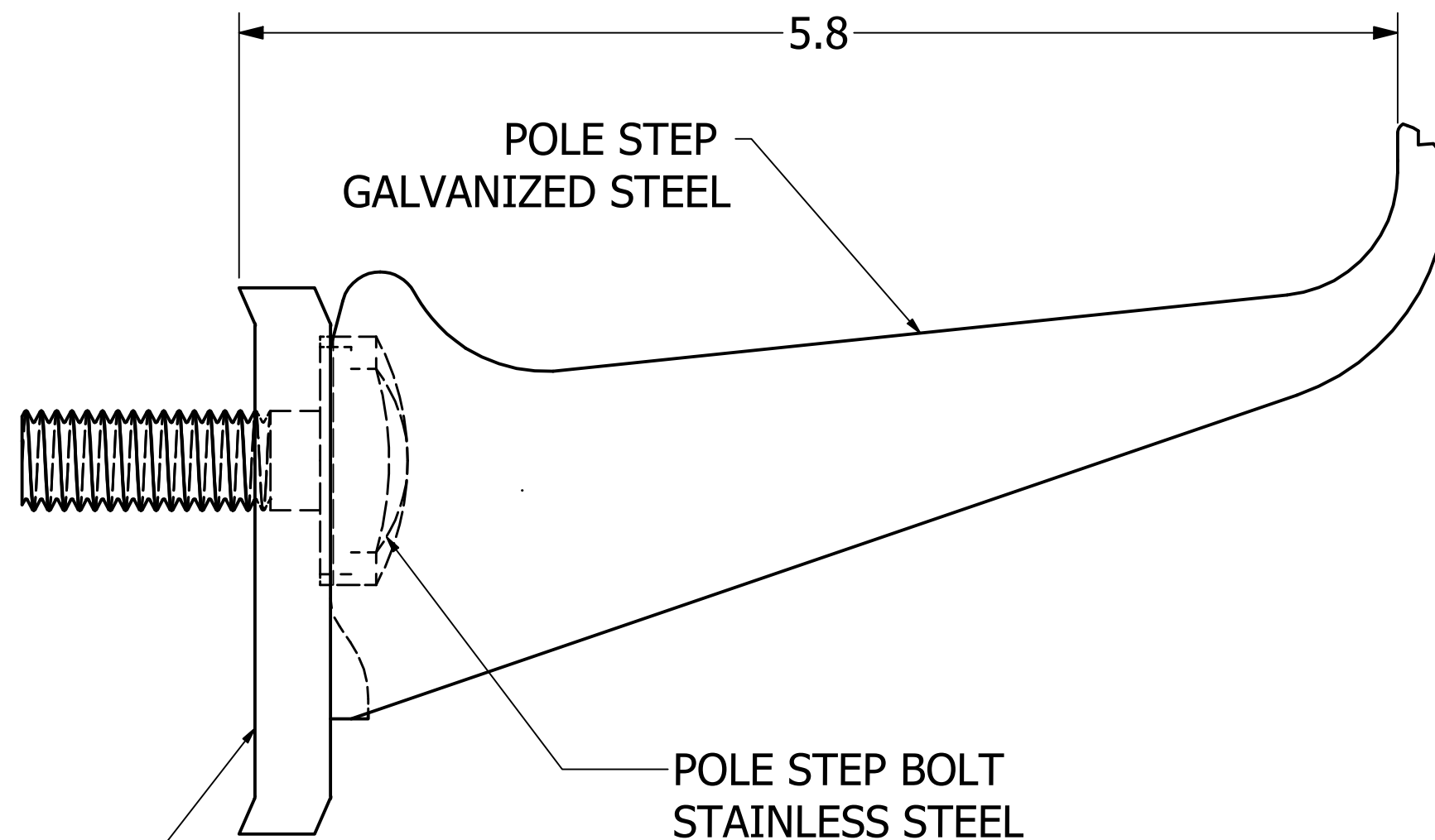
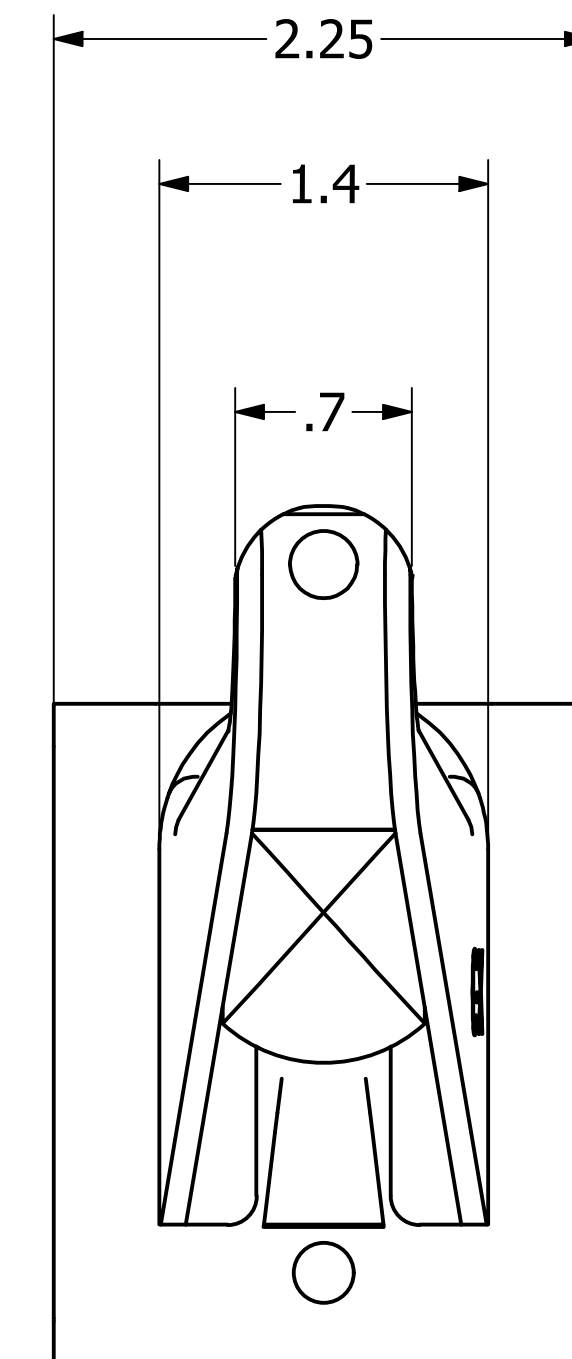
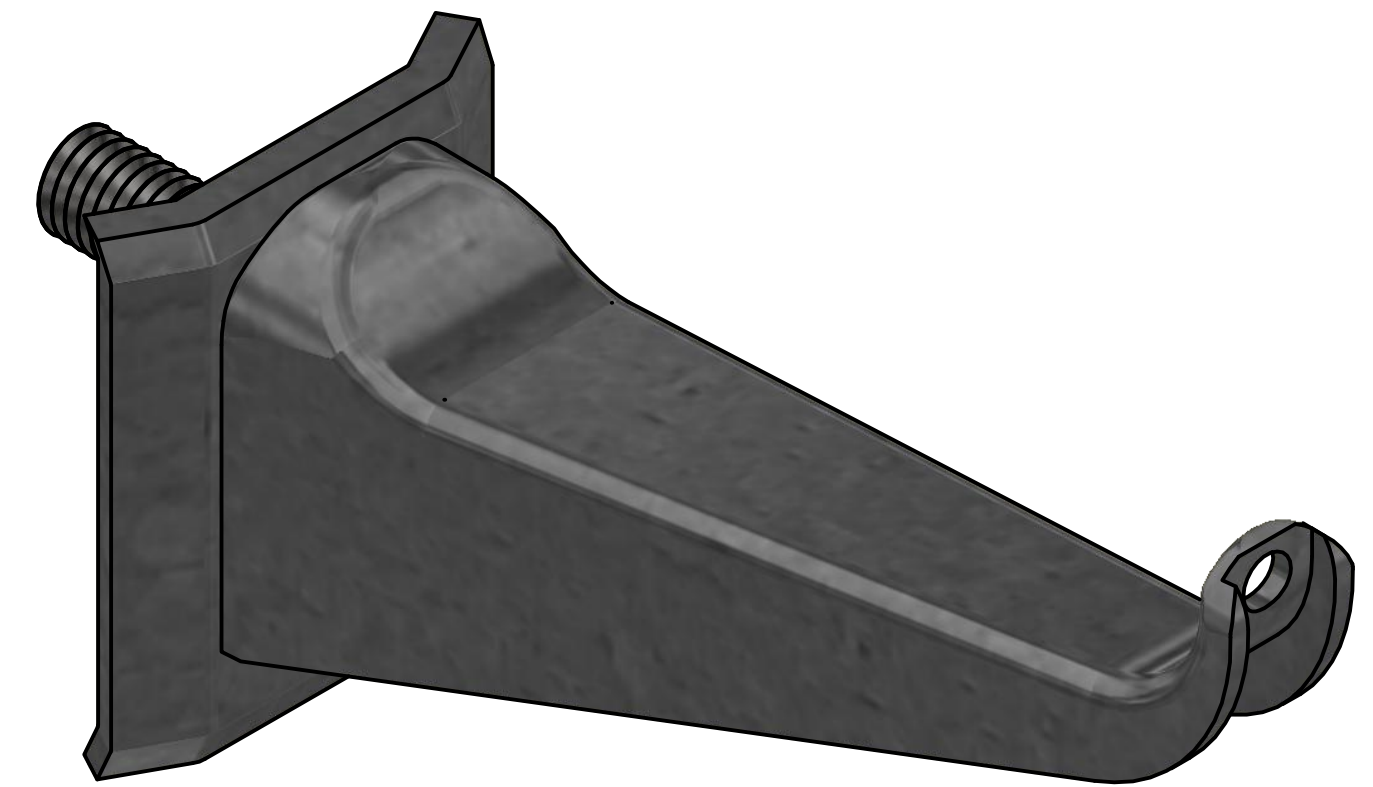


POLE STEP PLATE
GALVANIZED STEEL

**BOLT & PLATE ASSY
T2050433**



POLE STEP
GALVANIZED STEEL

POLE STEP BOLT
STAINLESS STEEL

POLE STEP PLATE
GALVANIZED STEEL

**T2050449 DETACHABLE
POLE STEP ASSY**

CHANCE®



HUBBELL POWER SYSTEMS, Inc.

CONFIDENTIAL: THIS DRAWING AND ITS CONTENTS ARE CONFIDENTIAL AND THE EXCLUSIVE PROPERTY OF HUBBELL POWER SYSTEMS. NO PUBLICATION, DISTRIBUTION OR COPIES MAY BE MADE WITHOUT THE WRITTEN CONSENT OF HUBBELL POWER SYSTEMS. HUBBELL POWER SYSTEMS UNPUBLISHED ALL RIGHTS RESERVED UNDER THE COPYRIGHT LAWS.

TITLE
**POLE STEP ASSEMBLY WITH
STAINLESS STEEL POLE STEP BOLT**

SIZE	CAT / PART / ASSY NO.	DWG NO.	REV
SC	SEE DRAWING	SA205-0433	B
DO NOT SCALE THIS DRAWING	DRN BY TOLIVER	DATE 1/7/21	SHEET 1 OF 1