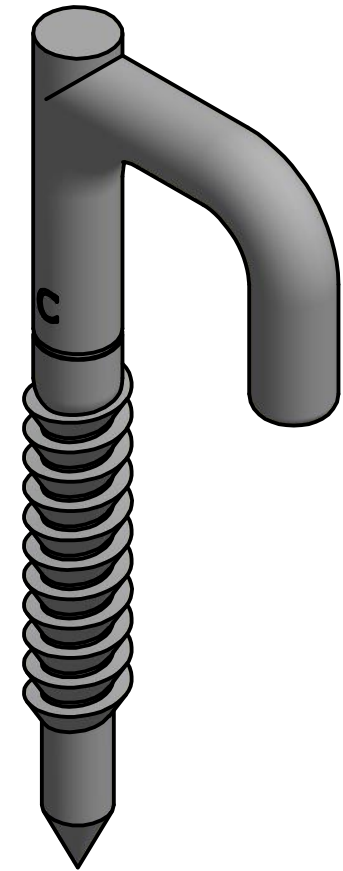
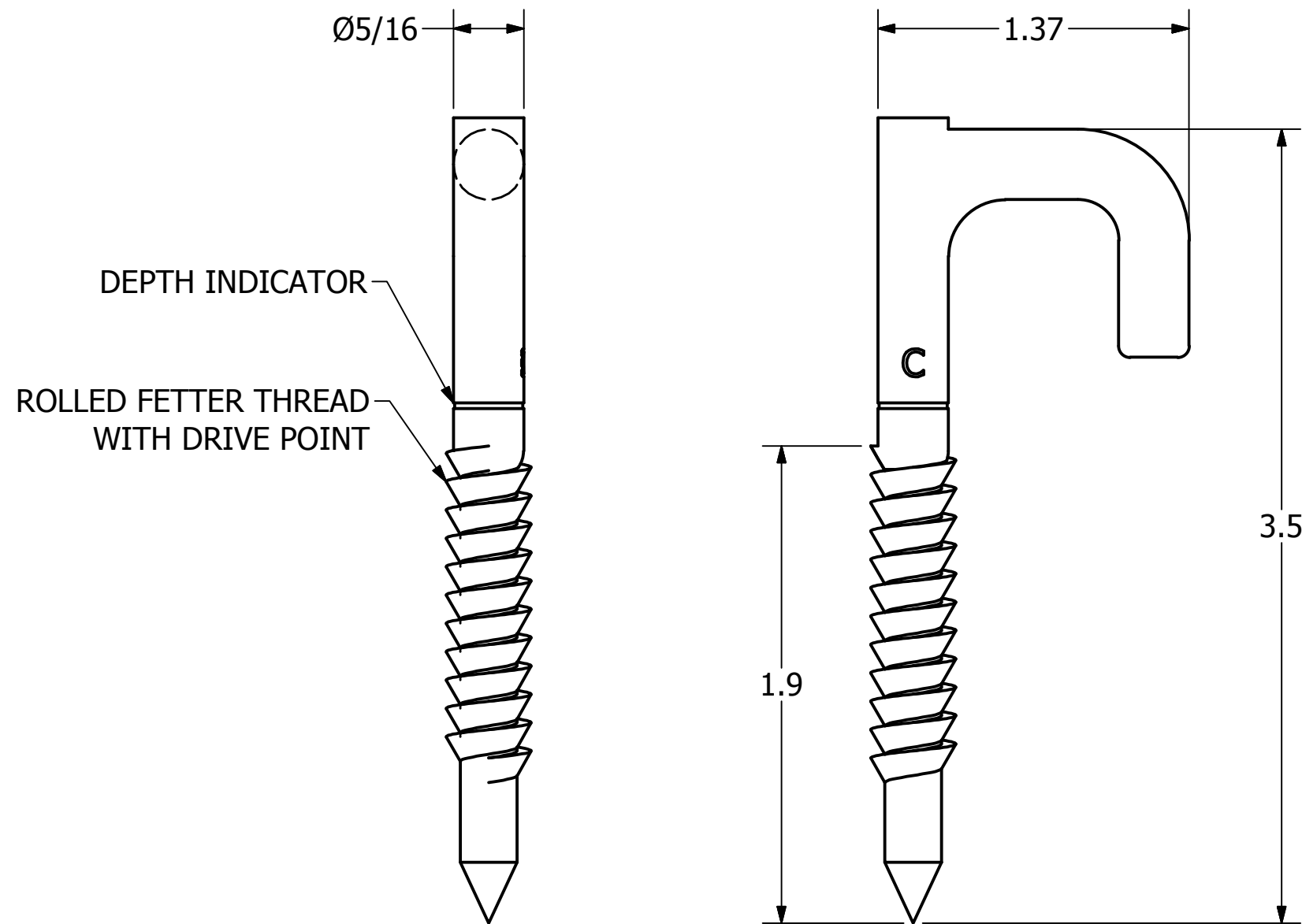


-NOTES-

1. USE TO ATTACH DROP WIRE CLAMP AT THE POLE.
2. STEEL, GALVANIZED PER ASTM A153.



CATALOG NO.: PSC2050605

CHANCE ®		HUBBELL ® POWER SYSTEMS, INC.		HUBBELL POWER SYSTEMS, INC.	
CONFIDENTIAL: THIS DRAWING AND ITS CONTENTS ARE CONFIDENTIAL AND THE EXCLUSIVE PROPERTY OF HUBBELL POWER SYSTEMS. NO PUBLICATION, DISTRIBUTION, OR COPIES MAY BE MADE WITHOUT THE WRITTEN CONSENT OF HUBBELL POWER SYSTEMS. HUBBELL POWER SYSTEMS UNPUBLISHED ALL RIGHTS RESERVED UNDER THE COPYRIGHT LAWS.		TITLE DRIVE HOOK, 5/16"			
SIZE B	CAT / PART / ASSY NO. PSC2050605	DWG NO. SA2050605	REV --		
DO NOT SCALE THIS DRAWING	DRN BY MTH	DATE 12/5/16	SHEET 1 OF 1		