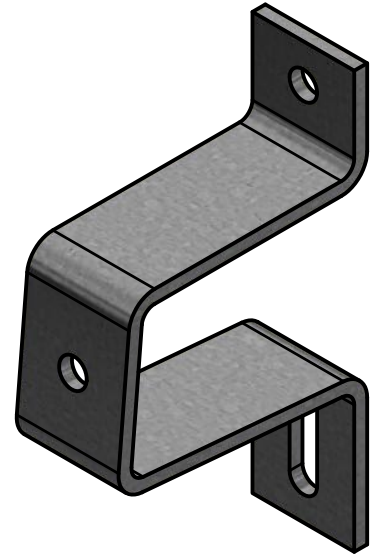
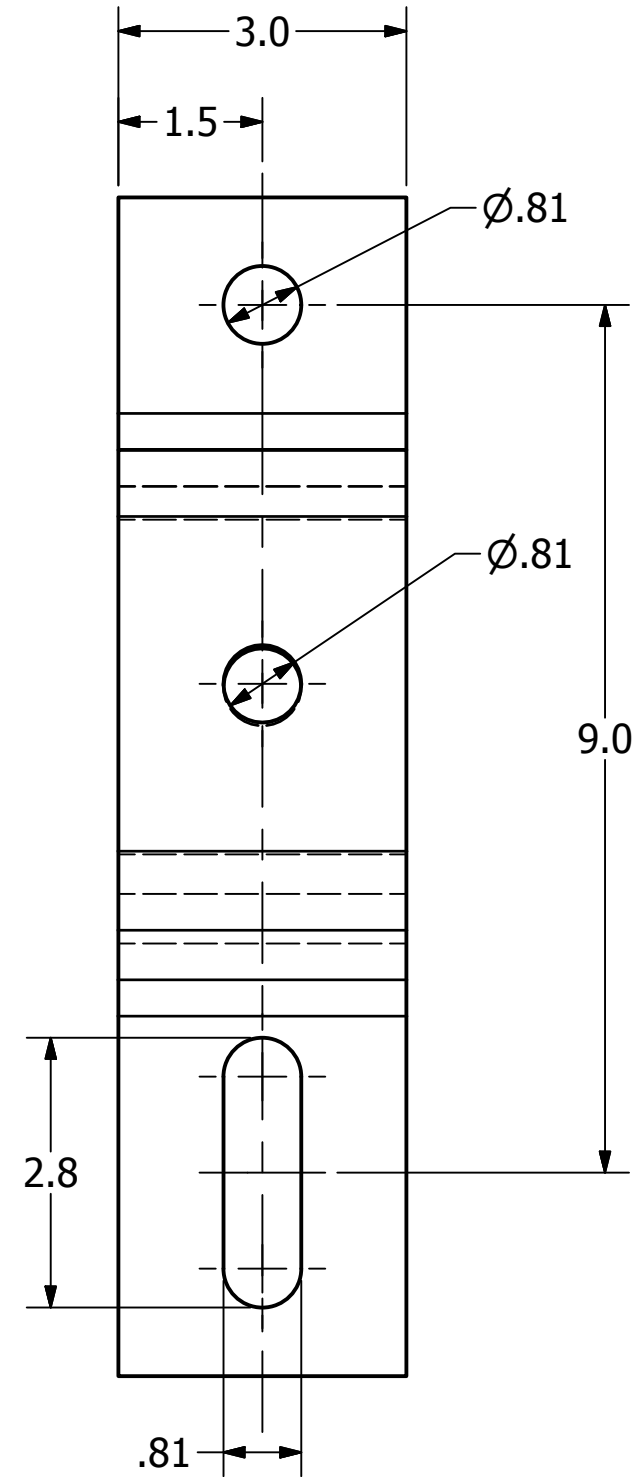
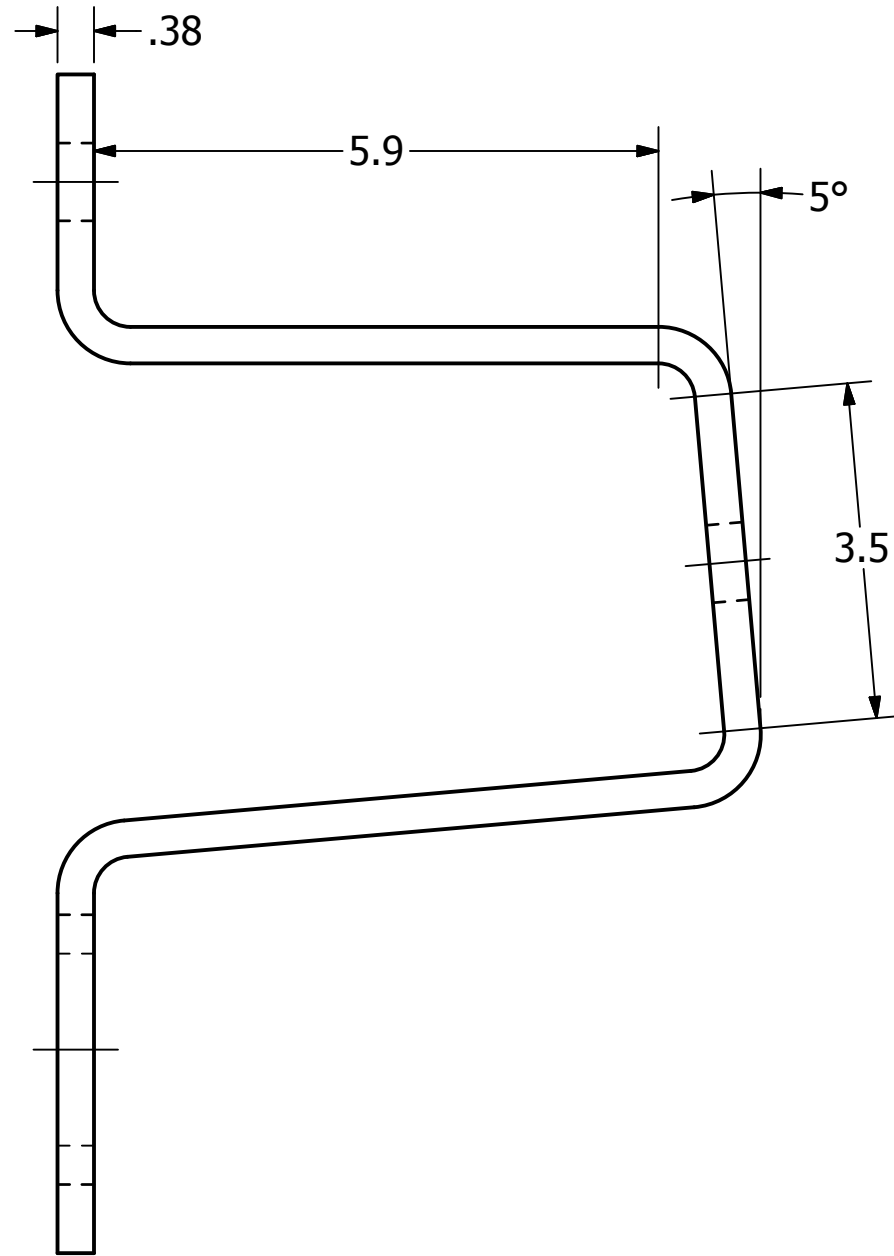



NOTES

- 1. MATERIAL: STEEL
- 2. FINISH: HOT DIP GALVANIZE PER ASTM A153



CATALOG NO. T2060344

CHANCE [®]		 HUBBELL POWER SYSTEMS, INC.	
		TITLE BRACKET, INSULATOR MOUNTING	
SIZE B	CAT / PART / ASSY NO. T2060344	DWG NO. SA2060344	REV A
DO NOT SCALE THIS DRAWING	DRN BY WILSON	DATE 01/25/18	SHEET 1 OF 1

CONFIDENTIAL: THIS DRAWING AND ITS CONTENTS ARE CONFIDENTIAL AND THE EXCLUSIVE PROPERTY OF HUBBELL POWER SYSTEMS. NO PUBLICATION, DISTRIBUTION, OR COPIES MAY BE MADE WITHOUT THE WRITTEN CONSENT OF HUBBELL POWER SYSTEMS. HUBBELL POWER SYSTEMS UNPUBLISHED ALL RIGHTS RESERVED UNDER THE COPYRIGHT LAWS.